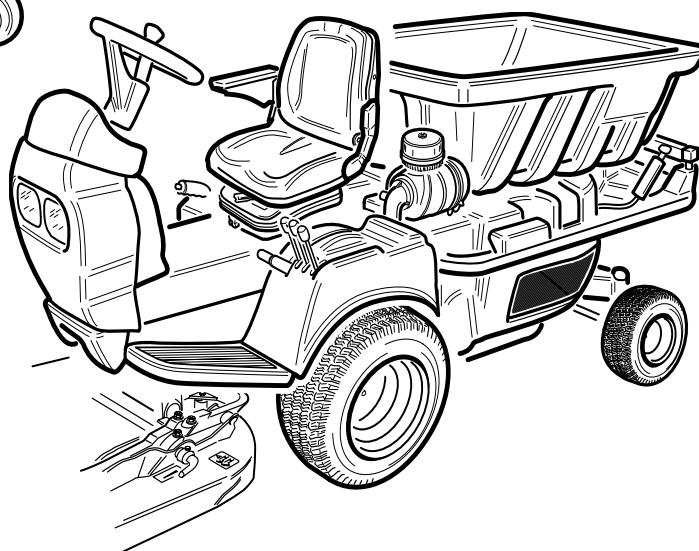
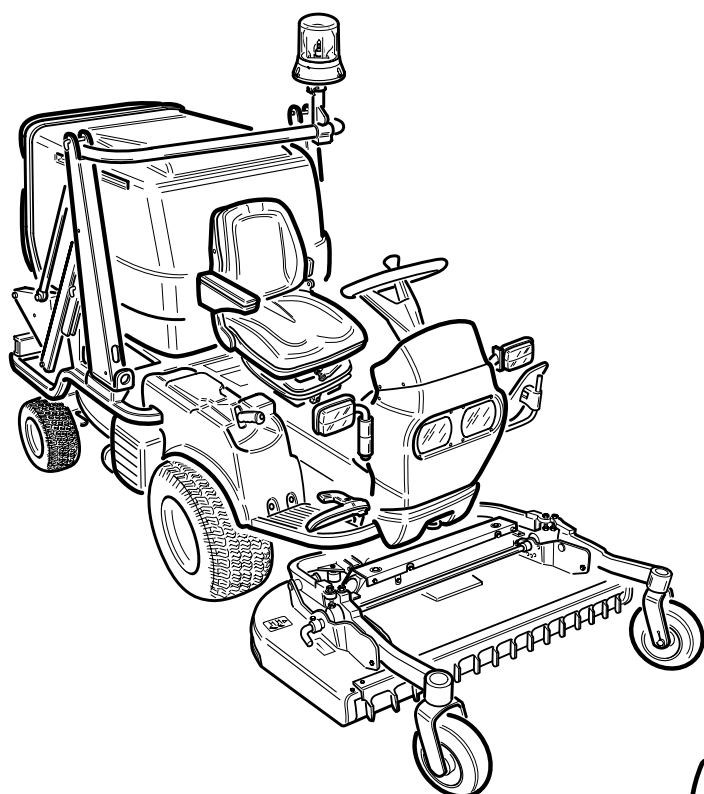




**Gianni
Ferrari**

PG/SR

PG/SR - W



**CATALOGO PARTI DI RICAMBIO
CATALOGUE PIECES DETACHEES
SPARE PARTS CATALOGUE
ERSATZTEILKATALOG**

CE

COMPOSIZIONE CODICE D'ORDINE

NUMERO DI MATRICOLA ALFANUMERICO DEL TELAIO + CODICE PARTICOLARE DI RICAMBIO

COMPOSITION OF THE ORDER CODE

ALPHANUMERICAL SERIAL NUMBER OF THE FRAME + CODE NUMBER OF THE SPARE PART

COMPOSITION DU CODE DE L'ORDRE

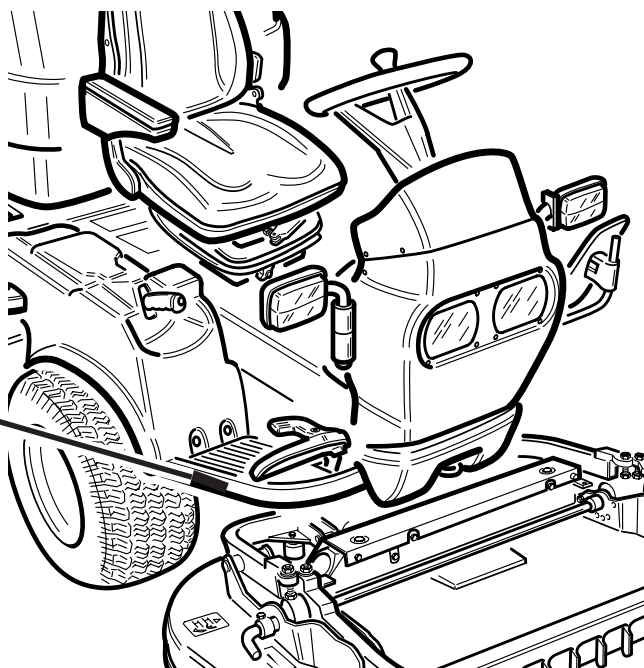
NUMÉRO DE SÉRIE ALPHANUMÉRIQUE DU CHÂSSIS + CODE AU PIECE DE RECHANGE

AUFBAU DES BESTELLKODE

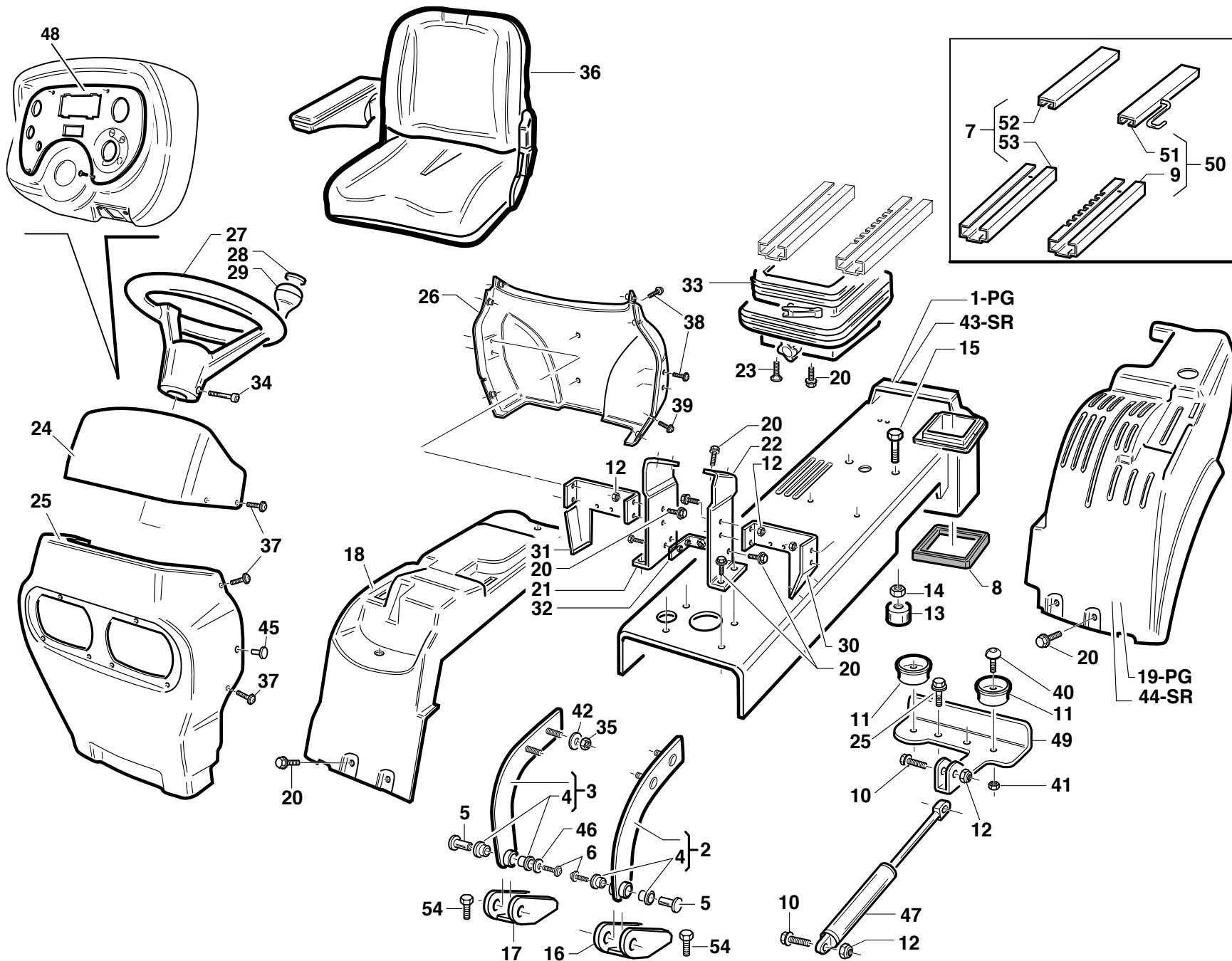
ALPHANUMERISCHE SERIENNUMMER DES GERÜSTES + HINWEIS AUF DAS CODE

NUMERO DI MATRICOLA ALFANUMERICO DEL TELAIO
ALPHANUMERICAL SERIAL NUMBER OF THE FRAME
NUMÉRO DE SÉRIE ALPHANUMÉRIQUE DU CHÂSSIS
ALPHANUMERISCHE SERIENNUMMER DES GERÜSTES

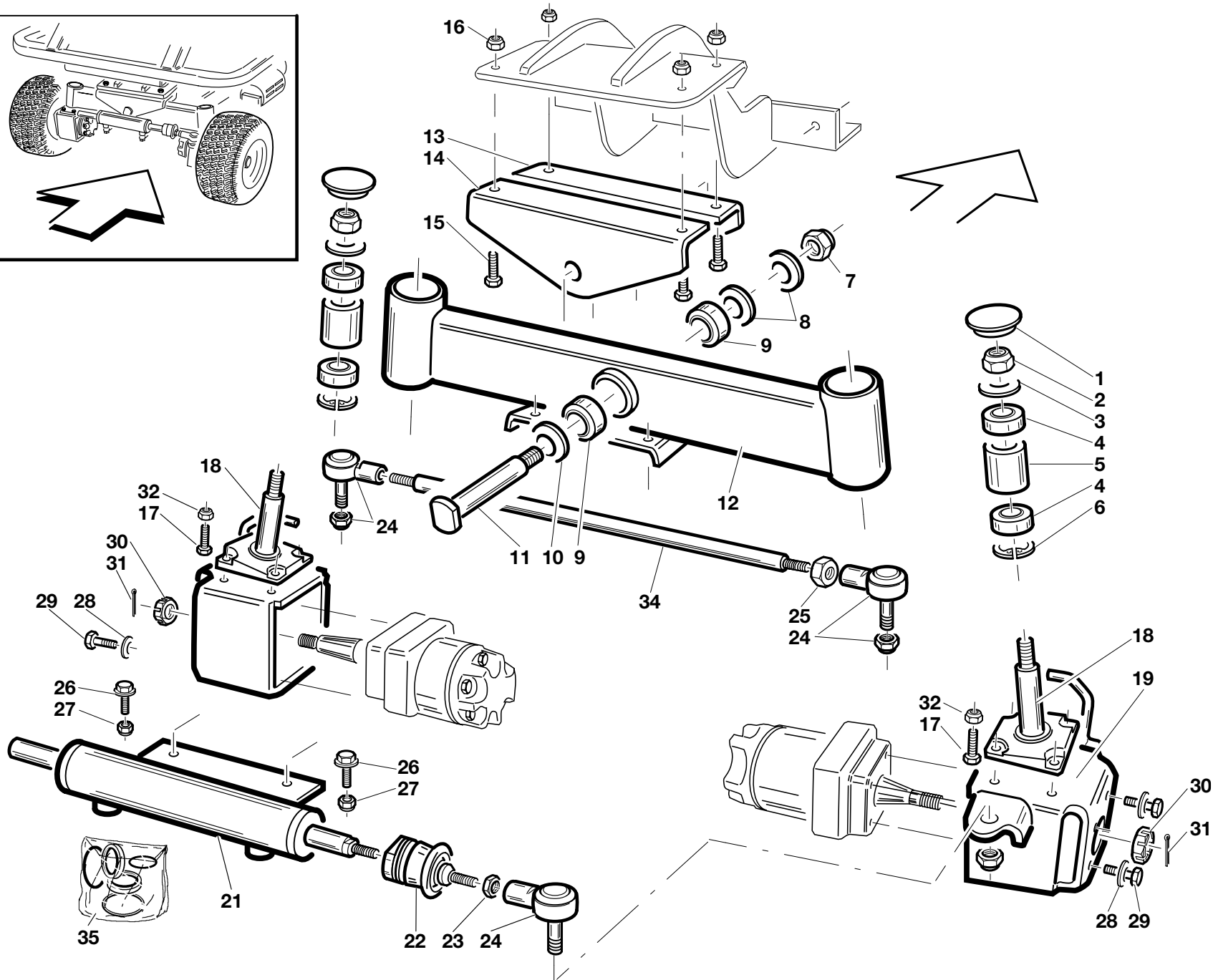
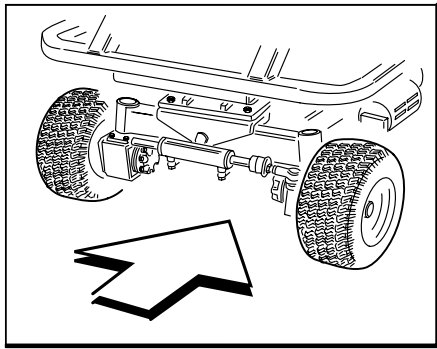
XXXXXXXXXXXXXXXXXX



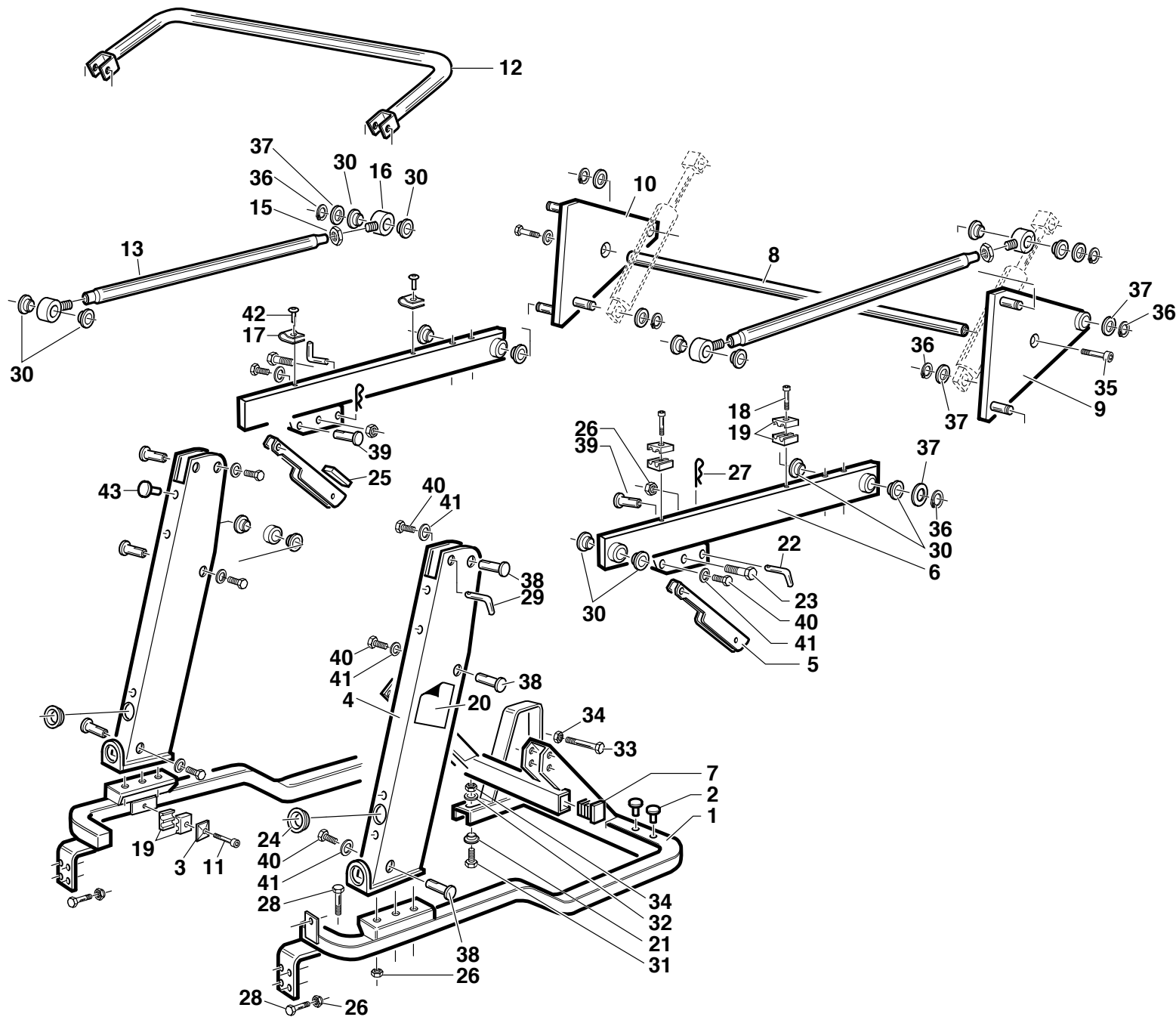
PG/SR 01	ZITTING - STUURWIEL - KAPPEN SIÈGE - VOLANT - CARÈNES SEAT - STEERING WHEEL - HOODS SITZ - LENKRAD - HAUBEN	SR 14	BEVESTIGING TRANSPORTBAKJE SUPPORT BENNE BED SUPPORT PRITSCHÉ-HALTERUNG
PG/SR 02	FRAME - KAPPEN CHÂSSIS - CARÈNES FRAME - HOODS RAHMEN - HAUBEN	PG/SR 15	ACHTERFRAME EN GEWICHTEN CHÂSSIS PERIMÉTRAL-LESTS PERIMETER FRAME-BALLASTS UMFANGSRAHMEN-BALLASTE
PG/SR 03	STUURBARE ACHTERAS ESSIEU ARRIÈRE DE DIRECTION REAR STEERING AXLE HINTERACHGELENK	PG/SR-W 16	HYDRAULISCHE AANDRIJVING TRANSMISSION HYDROSTATIQUE HYDROSTATIC TRANSMISSION HYDROSTATISCHER ANTRIEB
PG/SR 04	LIFT GRASVANGBAK ÉLÉVATEUR ELEVATOR ELEVATOR	PG/SR-W 17	HYDRAULISCHE AANDRIJVING TRANSMISSION HYDROSTATIQUE HYDROSTATIC TRANSMISSION HYDROSTATISCHER ANTRIEB
PG/SR 05	REM - PEDALEN - PTO - MAAIERHEF FREIN - PÉDALIER - PDF - ELÉVATEUR BRAKE - PEDALS - PTO - WHEEL LIFT BREMSE - PEDALE - GW - RADHEBER	PG/SR-W 18	HYDRAULISCH STUUR INSTALLATION HYDRAULIQUE HYDRAULIC INSTALLATION HYDRAULIKANLAGE
PG/SR-W 06	VOOR AS ESSIEU AVANT FRONT AXLE VORDERACHSE	PG/SR 19	HYDRAULISCHE HEF INSTALLATION HYDRAULIQUE HYDRAULIC INSTALLATION HYDRAULIKANLAGE
PG/SR-W 07	VOOR AS ESSIEU AVANT FRONT AXLE VORDERACHSE	PG/SR 20	HYDRAULISCHE KIEPER INSTALLATION HYDRAULIQUE HYDRAULIC INSTALLATION HYDRAULIKANLAGE
PG/SR 08	BLOWER TURBINE TURBINE TURBINE	PG/SR 21	HYDRAULISCHE HOOGKIEPER INSTALLATION HYDRAULIQUE ÉLÉVATEUR ELEVATOR HYDRAULIC INSTALLATION ELEVATOR-HYDRAULIKANLAGE
PG/SR 09	V-SNAAR AANDRIJVING BELTS TRANSMISSION TRANSMISSION COURROIES RIEMENANTRIEB	PG/SR-W 22	VOOR WIELEN ROUES AVANT FRONT WHEELS VORDERRÄDER
PG/SR-W 10	DAIHATSU MOTORDELEN COMPOSANTS MOTEUR DAIHATSU DAIHATSU MOTOR COMPONENTS DAIHATSU MOTOR BAUTEILE	PG/SR 23	ELECTRISCHE DELEN INSTALLATION ÉLECTRIQUE ELECTRIC INSTALLATION ELEKTRISCHE ANLAGE
PG/SR 11	TANK - LUCHTFILTER RÉSERVOIR - FILTRE AIR TANK - AIR FILTER TANK - LUFTFILTER	PG/SR 24	DAK MET BEV. STEUN ROPS ROPS ROPS
PG/SR 12	GRAS CONTAINER CONTENEUR CONTAINER BEHÄLTER	PG/SR 25	WEG / STRAAT UITVOERING INSTALLATION ÉLECTRIQUE ROUTIERE ROAD ELECTRIC INSTALLATION ELEKTRISCHE STRASSENANLAGE
PG/SR 13	MONTAGE GRASCONÏ KUBOTA SUPPORT CONTENEUR CONTAINER SUPPORT BEHÄLTER-HALTERUNG	PG/SR-W 26	STICKERS AUTOCOLLANTS STICKERS AUFKLEBER



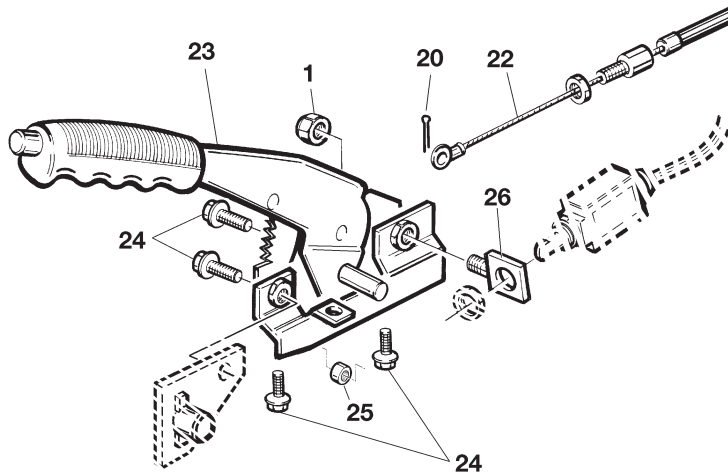
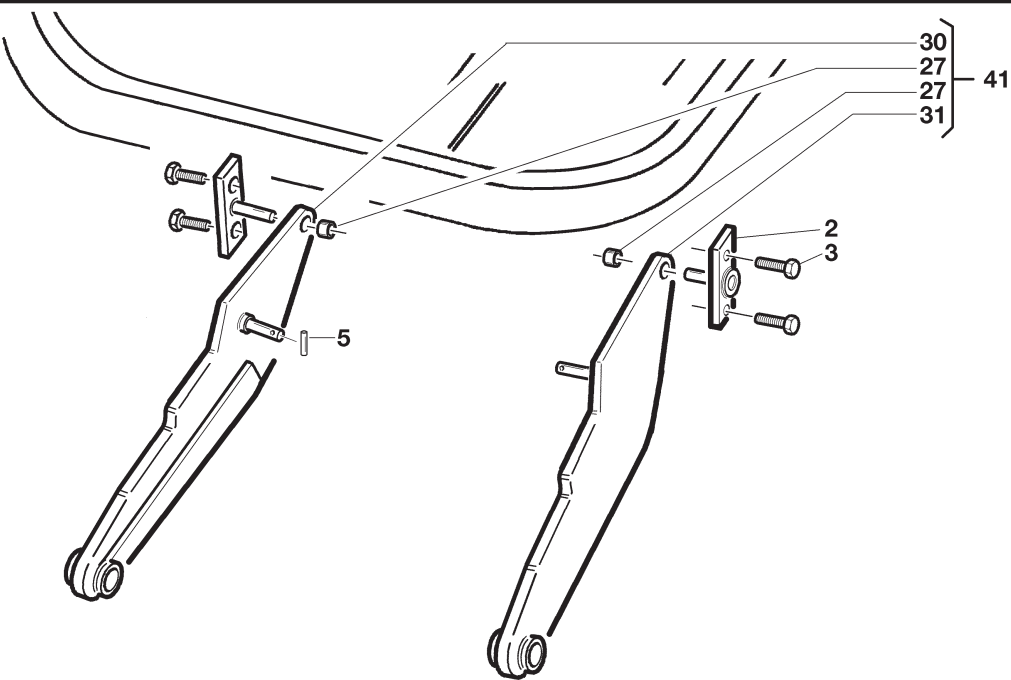
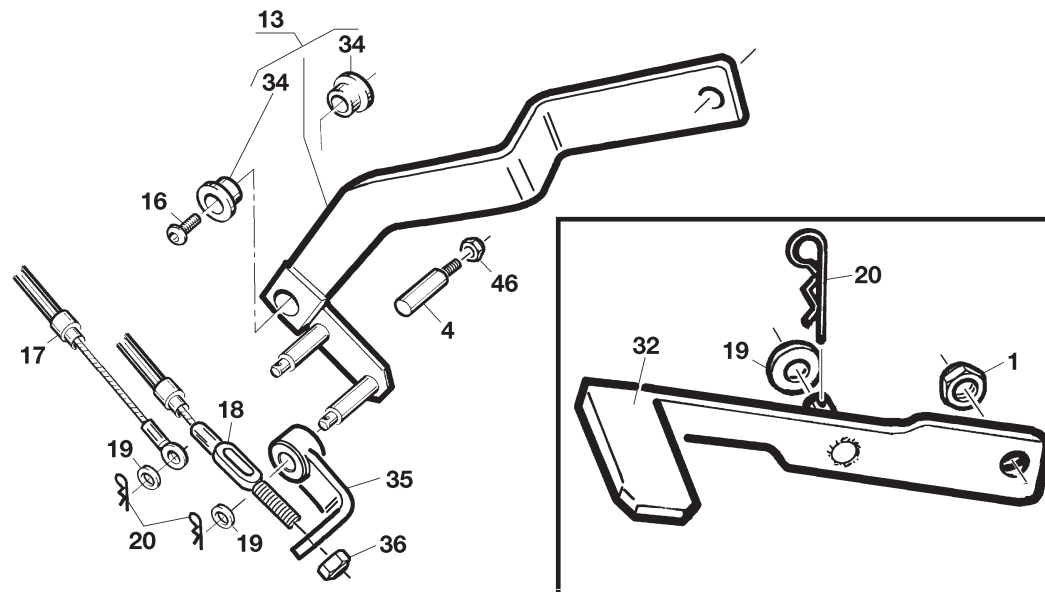
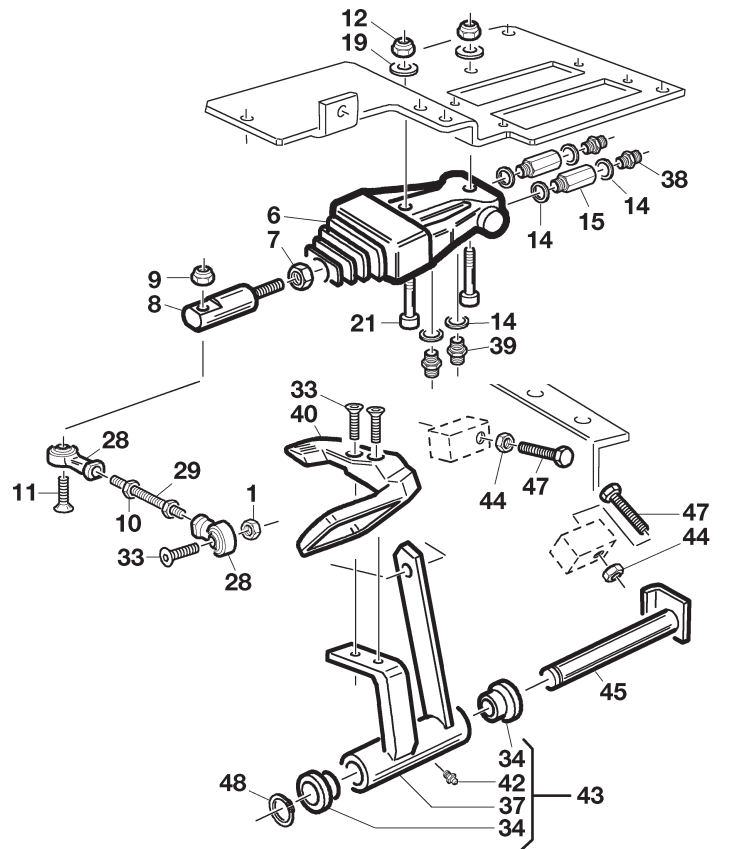
Pos.	CODICE / CODE
01	9504948000
02	95301110000
03	95301120000
04	00111530003
05	94500000007
06	00111450014
07	00777850005
08	95030300002
09	00777850003
10	00111450002
11	95301000001
12	00111000071
13	00111970038
14	00111150002
15	00111000040
16	95301000009
17	95301000010
18	95200000006
19	95302000001
20	00111450003
21	95301000016
22	95301000015
23	00111000186
24	95301000026
25	95301290001
26	95049540000
27	00111970182
28	00111970146
29	00111970145
30	95301000008
31	95301000007
32	95301230000
33	00777850021
34	00111400015
35	00111000095
36	00777850016
37	00111450017
38	00111450015
39	00111450016
40	00111450012
41	00111000166
42	00111000061
43	95207250000
44	95310000001
45	00111970095
46	00111000037
47	00111990106
48	95133100001
49	95303000001
50	00777850023
51	00777850022
52	00777850010
53	00777850004
54	00111000059



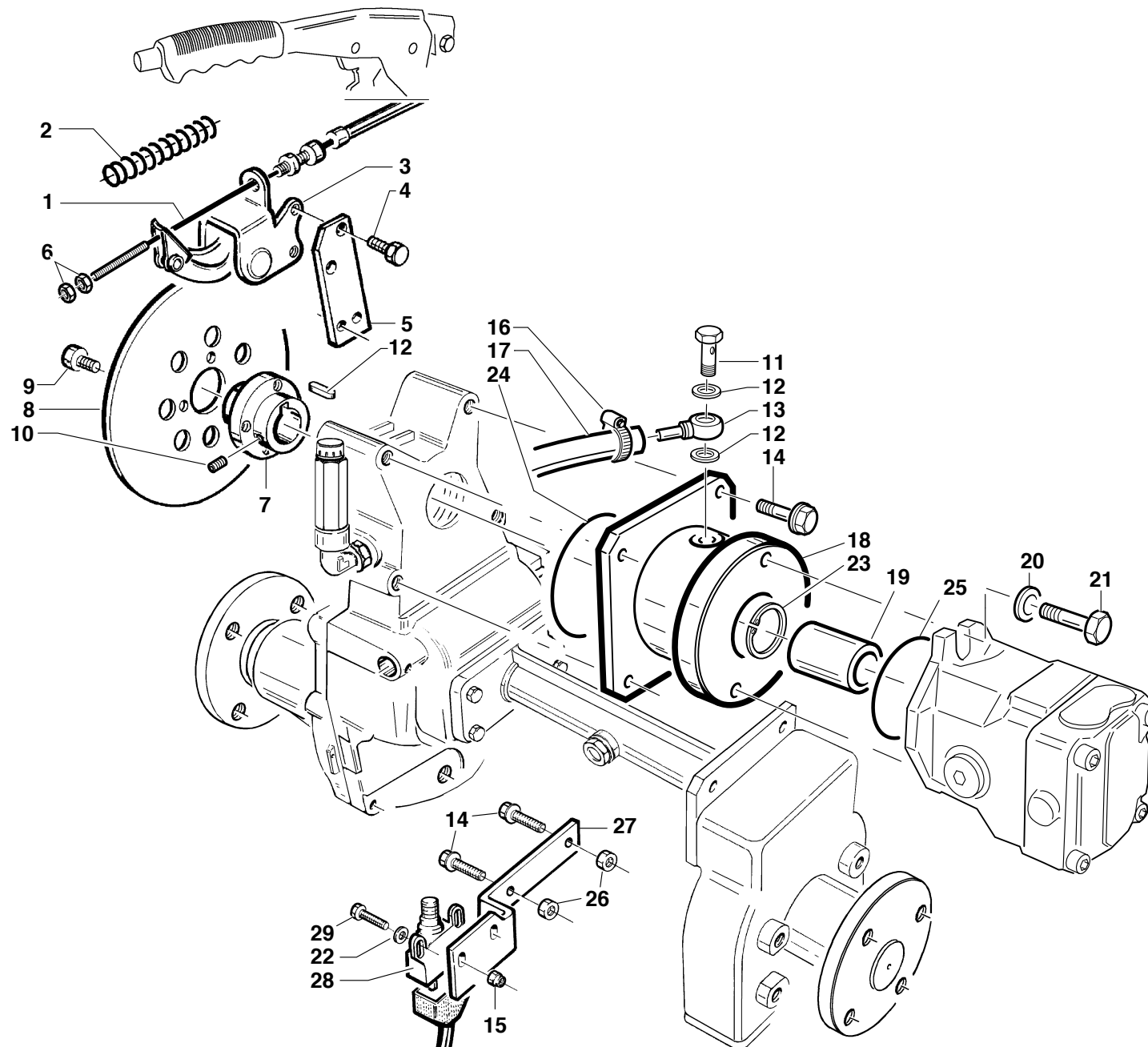
Pos.	CODICE / CODE
01	9450000087
02	00111250011
03	95303110004
04	00777100012
05	95303110005
06	00111650003
07	00111250007
08	95303110003
09	00777100053
10	95303110001
11	95303110002
12	95301200000
13	95303000009
14	95303000010
15	001110000103
16	00111250013
17	00111300052
18	95303110007
19	95303180000
20	95303190000
21	95301000013
22	00777200024
23	95599000037
24	00777200023
25	00111500027
26	00111450007
27	00111000080
28	00111550005
29	00111300075
30	95599000038
31	00111750007
32	00111250025
34	95303000011
35	95599610000



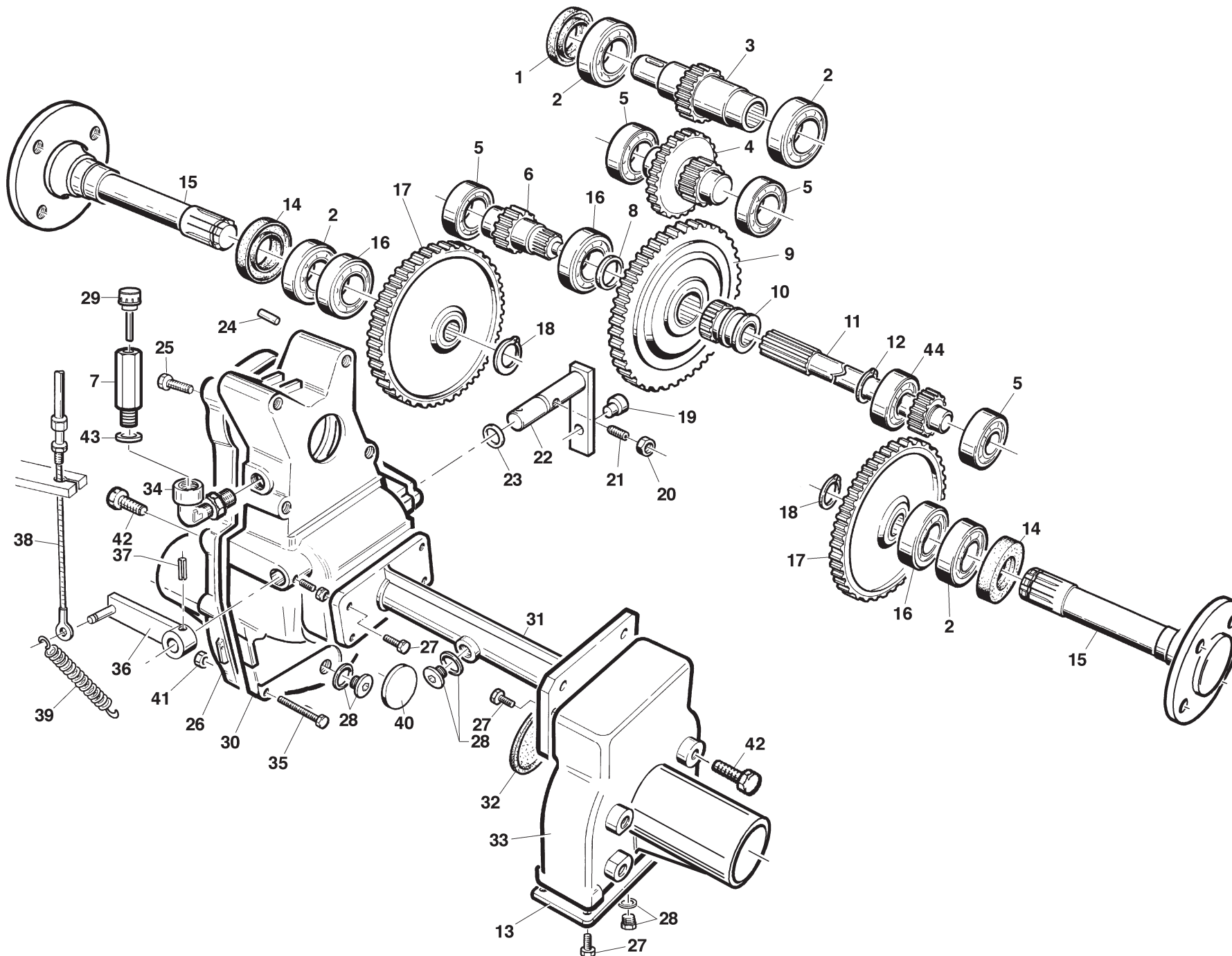
Pos.	CODICE / CODE
01	95125130000
02	00111970168
03	00111990081
04	95125210000
05	95125000008
06	95125170000
07	00111970148
08	95125000001
09	95125160000
10	95125150000
11	00111990082
12	95125100000
13	95125000012
14	94017000003
15	00111150011
16	94013000015
17	00111810020
18	00111400015
19	11001000012
20	00555200119
21	95006000015
22	95125000009
23	00111300049
24	00111970128
25	95128100001
26	00111250004
27	00111750004
28	00111300018
29	95125000010
30	00111990017
31	00111000024
32	00111500003
33	00111300010
34	00111250009
35	00111400041
36	00111000057
37	00111500011
38	94010000060
39	94010000059
40	00111000081
41	00111000061
42	00111000054
43	00111970169



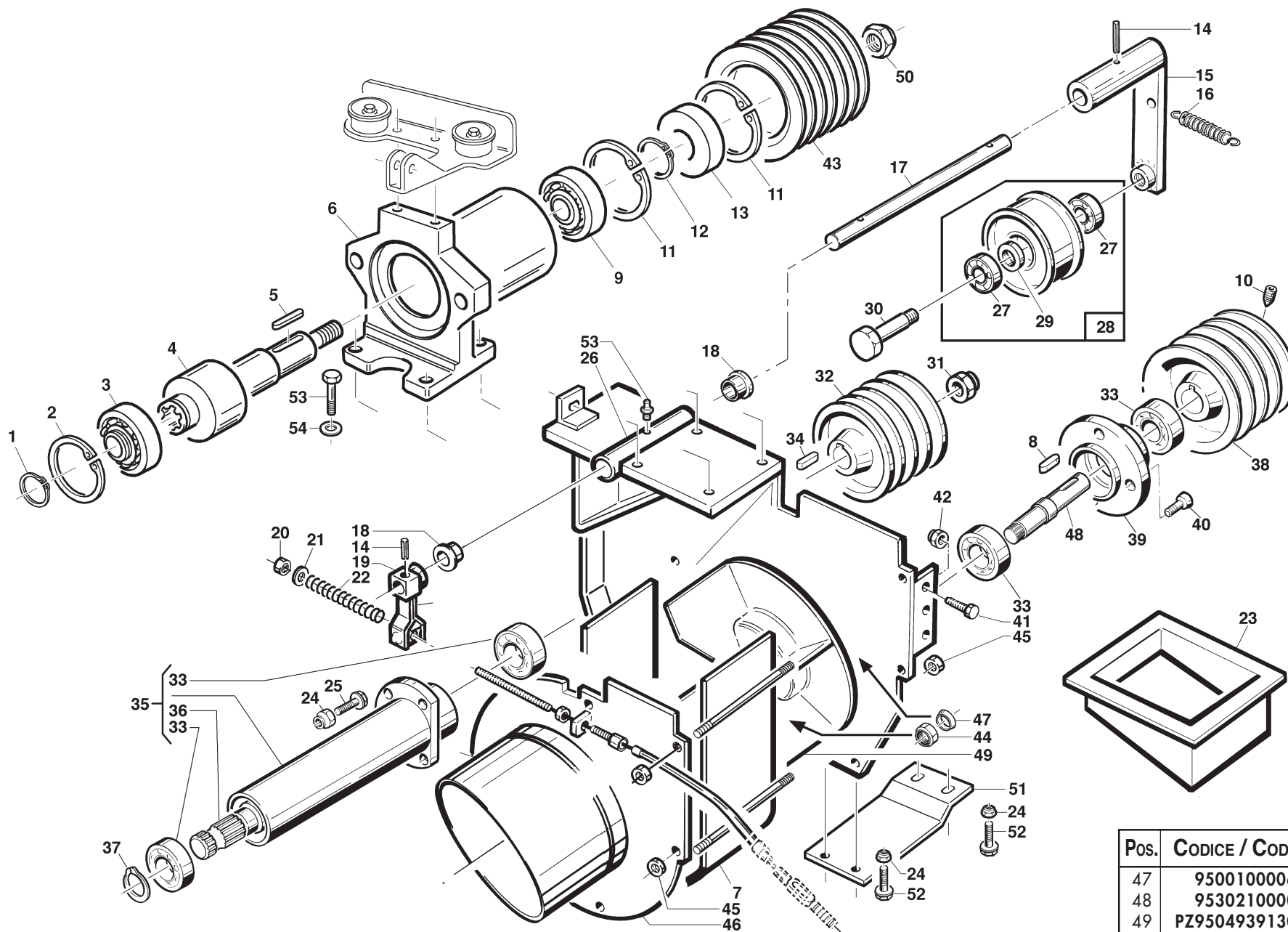
Pos.	CODICE / CODE
01	00111000071
02	95301150000
03	00111000103
04	95301000002
05	00111700006
06	95303000019
07	00111150002
08	95303000013
09	00111250018
10	00111000082
11	00111000145
12	00111000035
13	95301280000
14	00777600001
15	00777600037
16	00111450004
17	95301000020
18	95042210004
19	00111500009
20	00111000114
21	00111400015
22	95042000013
23	00111990015
24	00111450003
25	95001000027
26	PZ95042190000
27	00111530005
28	00777200007
29	95303000060
30	95303160000
31	95303150000
32	PZ95001390000
33	00111350022
34	95001000060
35	PZ95042216000
36	00111000095
37	95301140000
38	00777600122
39	00777600121
40	95533000003
41	95599590000
42	00111000036
43	95301320000
44	00111150003
45	95301100000
46	00111000166
47	00111000033
48	00111650004



Pos.	CODICE / CODE
01	95042000013
02	95029000016
03	00111990022
04	00111450005
05	95042200005
06	00111000155
07	95042200004
08	00111990023
09	00111000184
10	00111960003
11	95163100016
12	00777600003
13	00777600142
14	00111450001
15	00111250006
16	00111810010
17	95303000065
18	95303000002
19	95303000005
20	00111550005
21	00111000103
22	00111500010
23	00111650027
24	00777230021
25	00777230020
26	00111000071
27	PZ95029000020
28	00777800023
29	00111300019

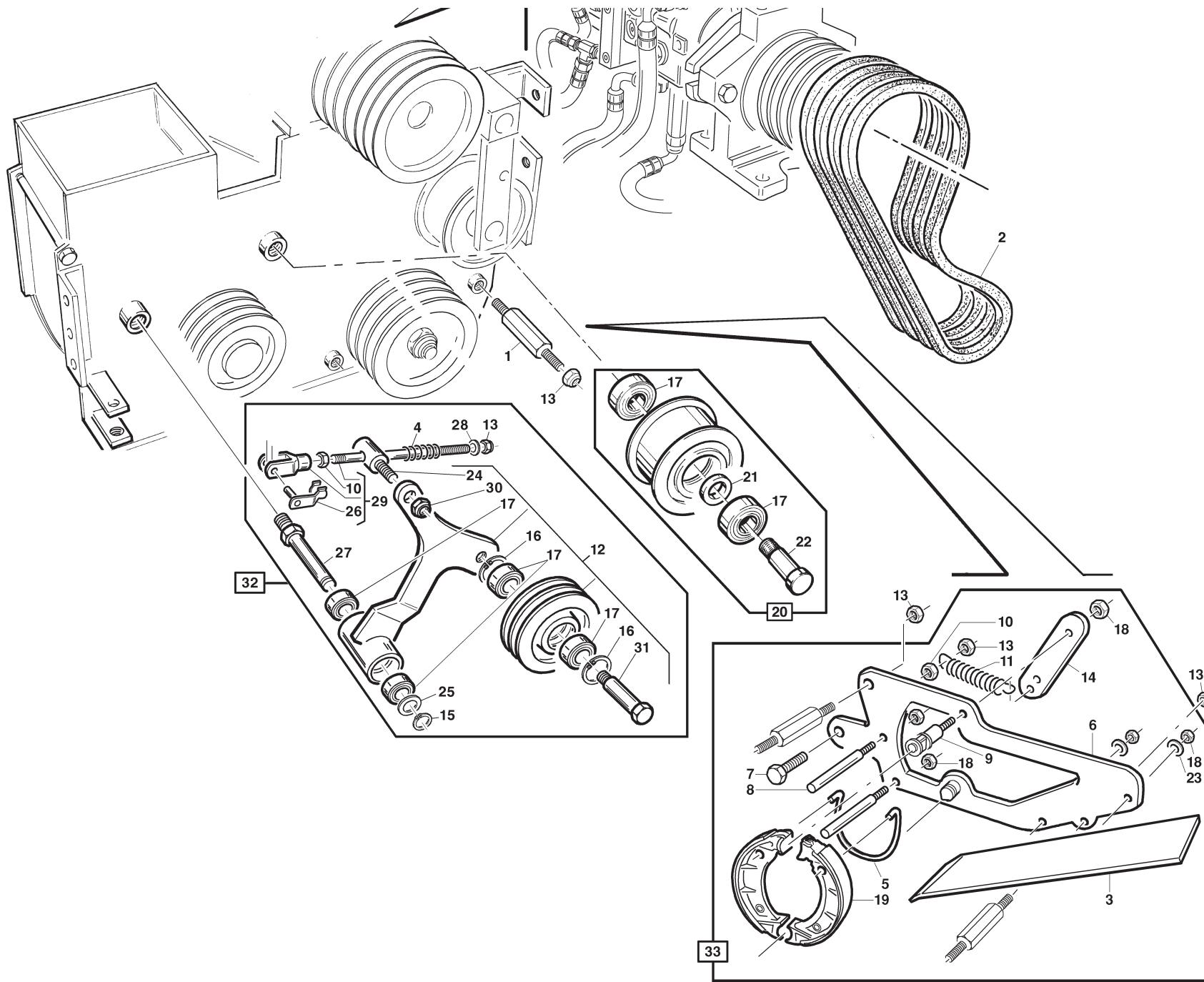


Pos.	CODICE / CODE
01	00777250024
02	00777100014
03	95303170012
04	00777304603
05	00777100015
06	95303170008
07	95303170011
08	95303170009
09	00777301001
10	00777301006
11	95303170002
12	00111650009
13	95303170007
14	00777250025
15	95303170005
16	00777100052
17	95303170004
18	00111650028
19	00777301011
20	00111150003
21	00111960004
22	00777301012
23	00777230001
24	00111870004
25	00111000158
26	95303170010
27	00111000093
28	00111990099
29	00777600143
30	95303170001
31	95303170003
32	00777270001
33	95303170006
34	00111990004
35	00111300074
36	95001100000
37	00111700006
38	95301000021
39	95001000050
40	00777270007
41	00111000082
42	00111000103
43	00777600117
44	00777100051

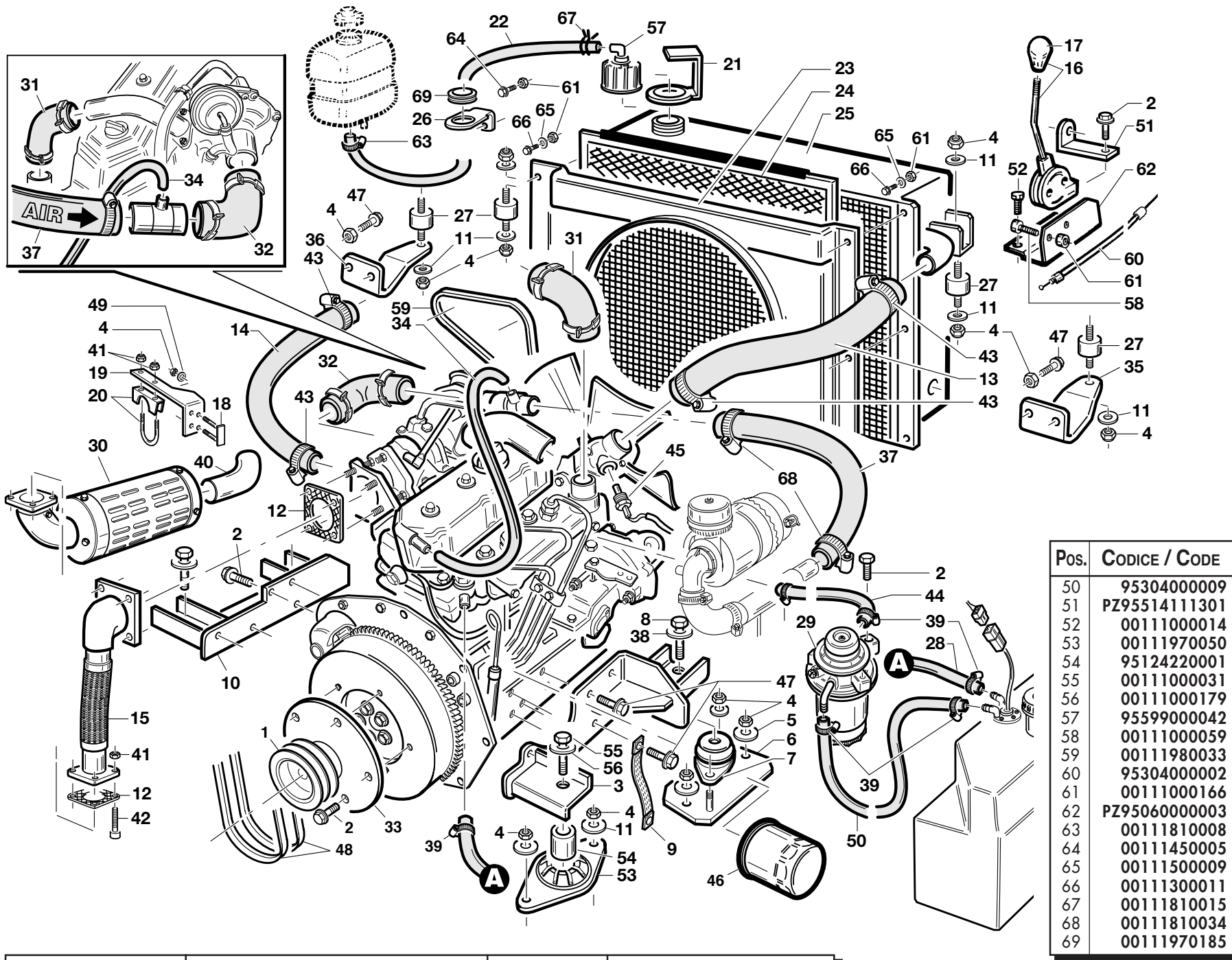


Pos.	CODICE / CODE
01	00111000139
02	00111650026
03	00777100055
04	95303000004
05	00111900007
06	95303000003
07	PZ95049391200
08	00111900001
09	00777100054
10	00111960002
11	00111650009
12	00111000065
13	00777250026
14	00111700006
15	95302101100
16	95029000022
17	95302100009
18	95001000060
19	95049391600
20	00111000155
21	00111000061
22	95001000031
23	95049000024
24	00111250014
25	00111300052
26	95302101400
27	00777100005
28	95599580000
29	95029000023
30	95029000011
31	00111250003
32	95302100004
33	00777100020
34	00111000174
35	95302101600
36	95302100002
37	00111000057
38	95302000007
39	95029100001
40	00111350012
41	00111000076
42	00111250004
43	95302100006
44	00111250007
45	00111000095
46	95302101500
47	95001000066
48	95302100008
49	PZ95049391300
50	00111250003
51	95301000019
52	00111450001
53	00111000036

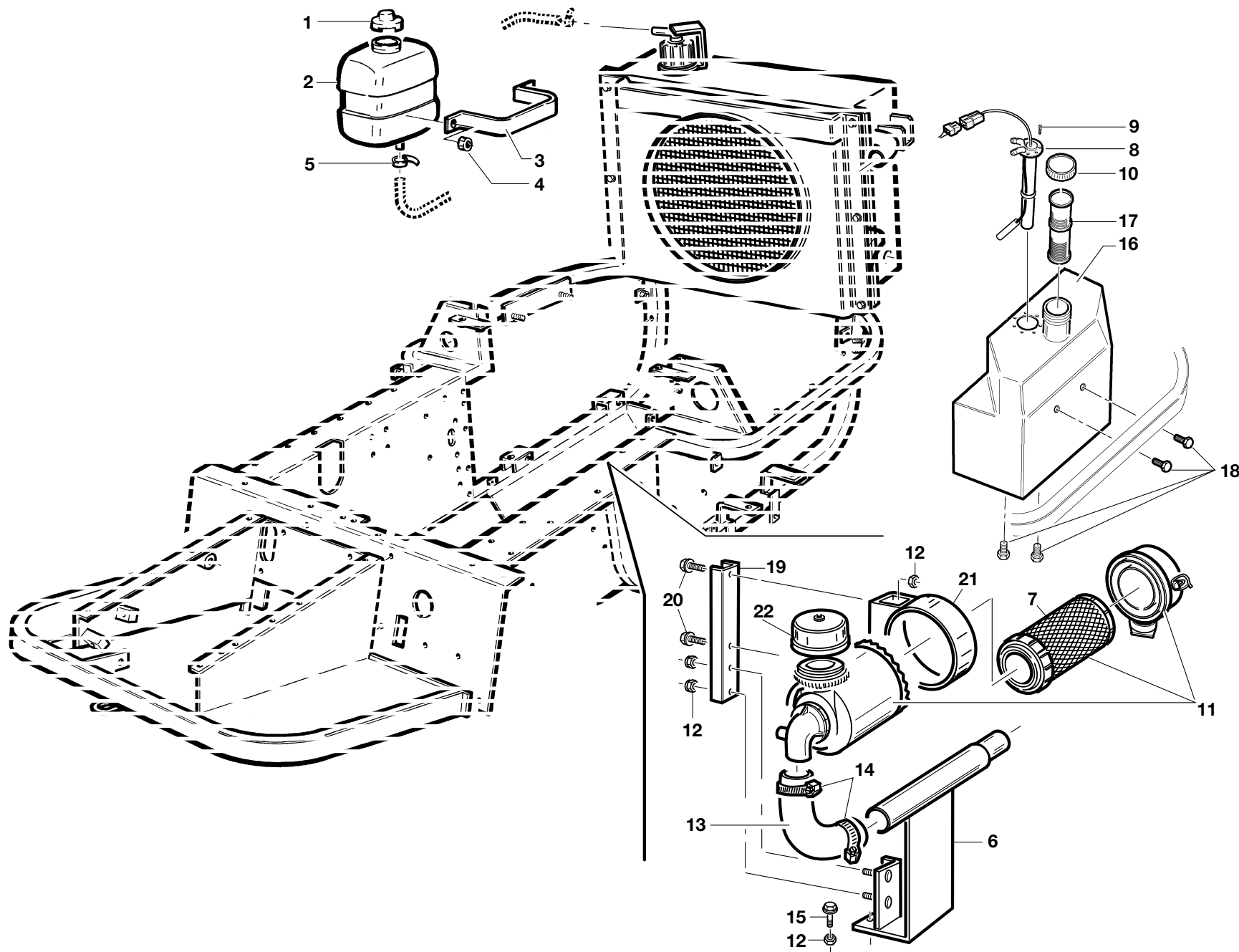
Pos.	CODICE / CODE
47	95001000066
48	95302100008
49	PZ95049391300
50	00111250003
51	95301000019
52	00111450001
53	00111000036



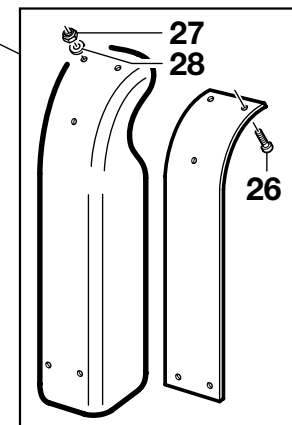
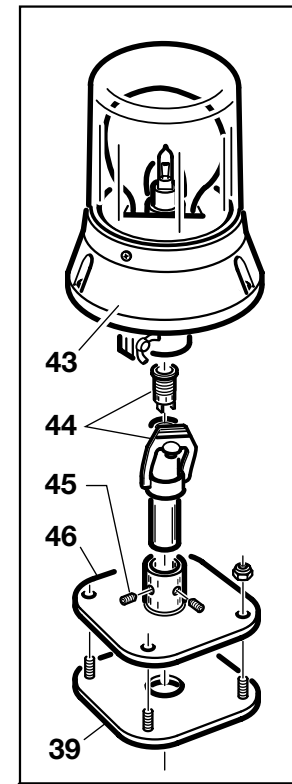
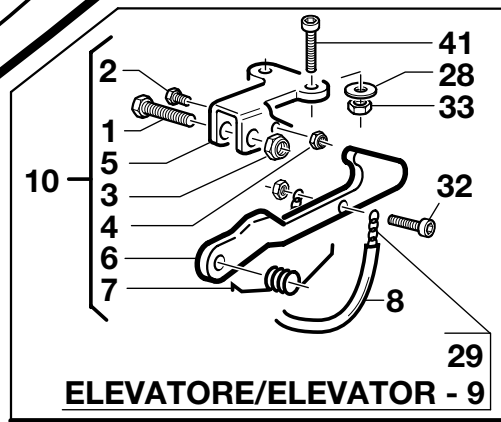
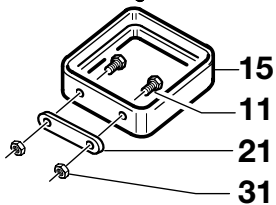
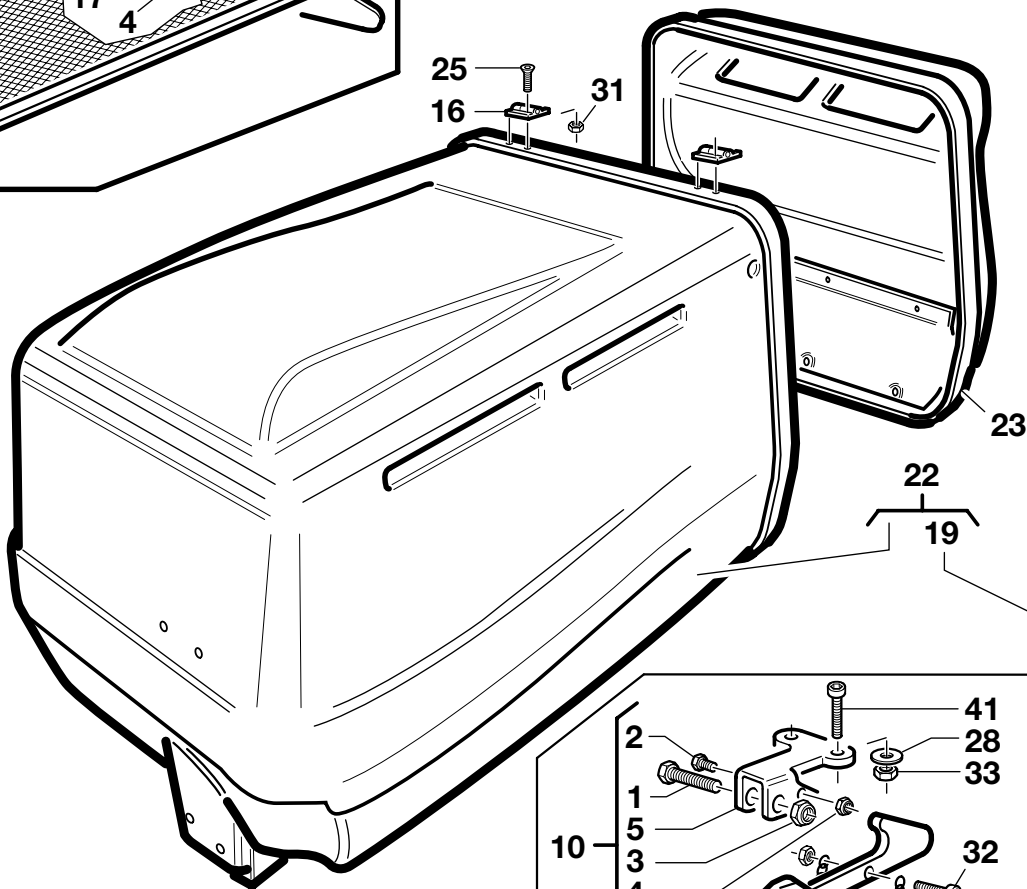
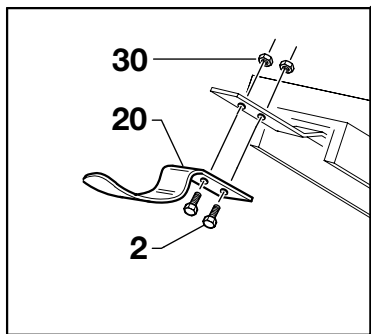
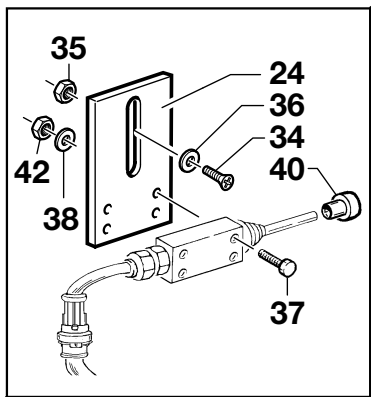
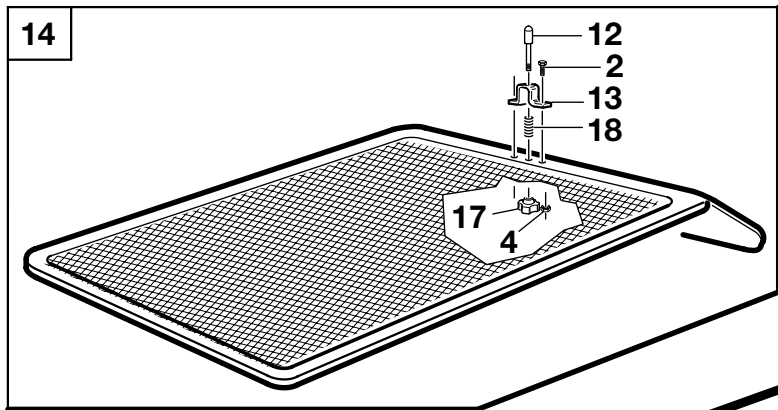
Pos.	CODICE / CODE
01	95302100001
02	00111980006
03	95301220000
04	95201000006
05	00111990112
06	95301210000
07	00111000033
08	95301000014
09	00111990113
10	00111000082
11	94500000103
12	95302101300
13	00111000071
14	95301000018
15	00111650004
16	00111650005
17	00777100005
18	00111000166
19	00111990111
20	95302101700
21	95029000023
22	95029000012
23	00111000037
24	94010820000
25	00111500004
26	00111000194
27	95049390002
28	00111000061
29	94500730000
30	00111000080
31	95049392101
32	95599600000
33	95301330000



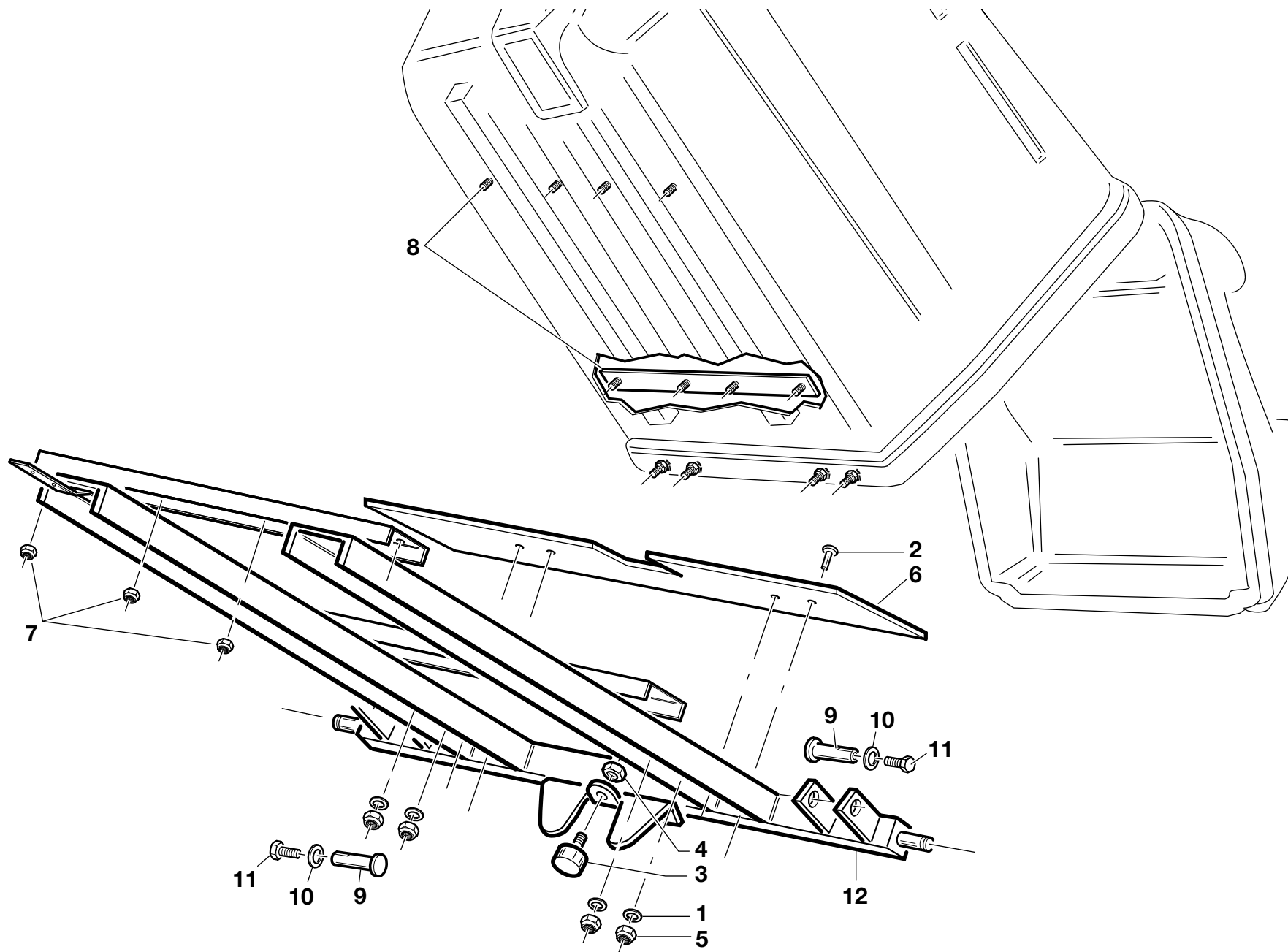
Pos.	CODICE / CODE
01	95304000003
02	00111450003
03	95304110000
04	00111000071
05	00111000132
06	95124210000
07	00111970104
08	00111300041
09	00777800052
10	95304100000
11	00111000061
12	00111990114
13	95304000007
14	95304000006
15	95304120000
16	95049171000
17	00111990034
18	95124160000
19	95124000008
20	00111810025
21	95304000012
22	95124000017
23	95303000056
24	95303210000
25	95303000020
26	95303000063
27	00111970119
28	95304000010
29	00777650061
30	95990000043
31	95599000040
32	95990000041
33	00777700025
34	95599000039
35	95303000023
36	95303000022
37	95304000008
38	00111550003
39	00111810010
40	95304000004
41	00111250018
42	00111400022
43	00111810009
44	95304000011
45	00777800123
46	00777650062
47	00111450001
48	00111980031
49	00111970185
50	00111970185
51	PZ95514111301
52	00111000014
53	00111970050
54	95124220001
55	00111000031
56	00111000179
57	95599000042
58	00111000059
59	00111980033
60	95304000002
61	00111000166
62	PZ95060000003
63	00111810008
64	00111450005
65	00111500009
66	00111300011
67	00111810015
68	00111810034
69	00111970185



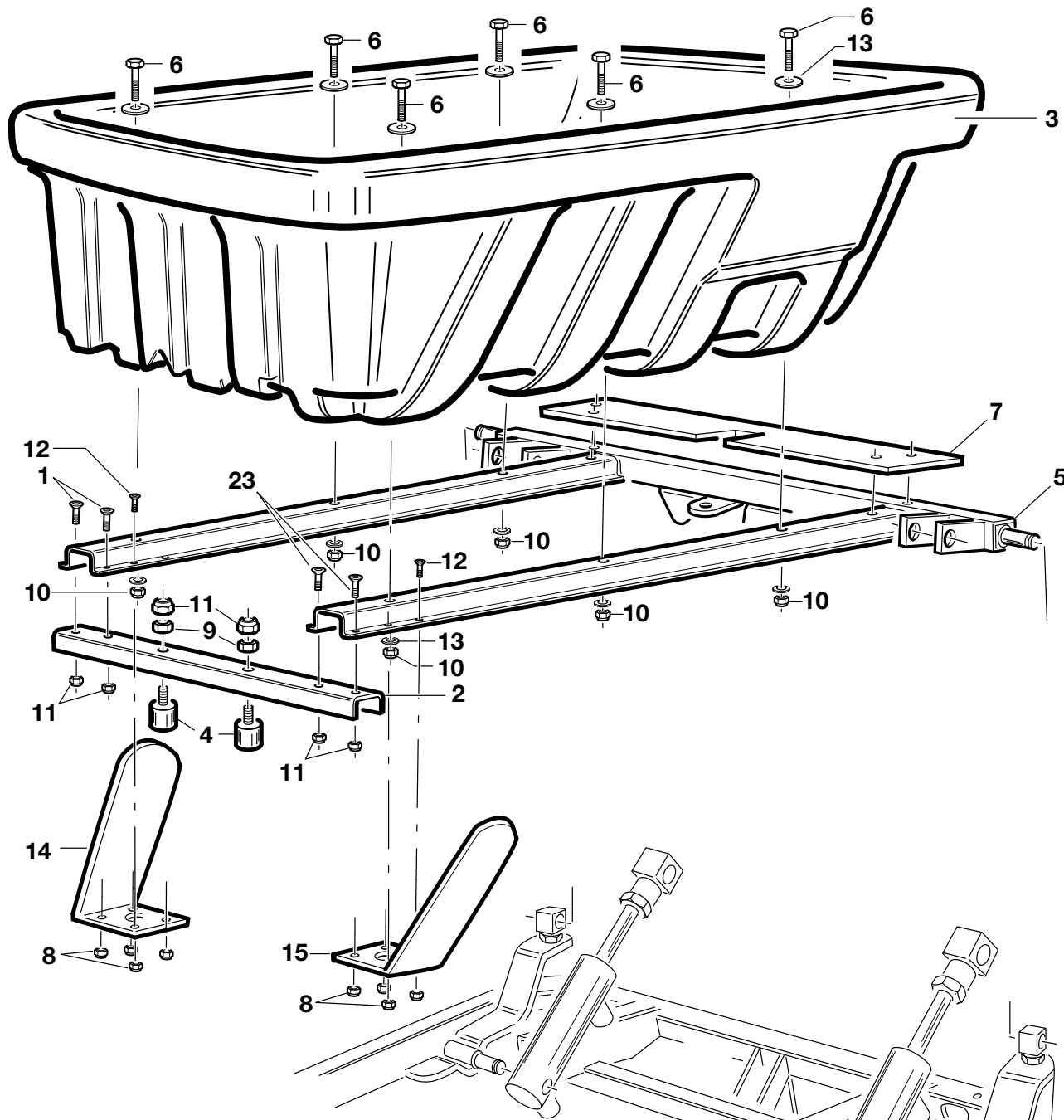
Pos.	CODICE / CODE
01	00111970061
02	00111970060
03	PZ95049000013
04	00111000166
05	00111810008
06	95301300000
07	00777650042
08	00777800189
09	00111450017
10	00111970155
11	00777650057
12	00111000071
13	95301000029
14	00111810012
15	00111450003
16	95200000005
17	00111970052
18	00111000059
19	95301000028
20	00111450001
21	00777650043
22	00777650059



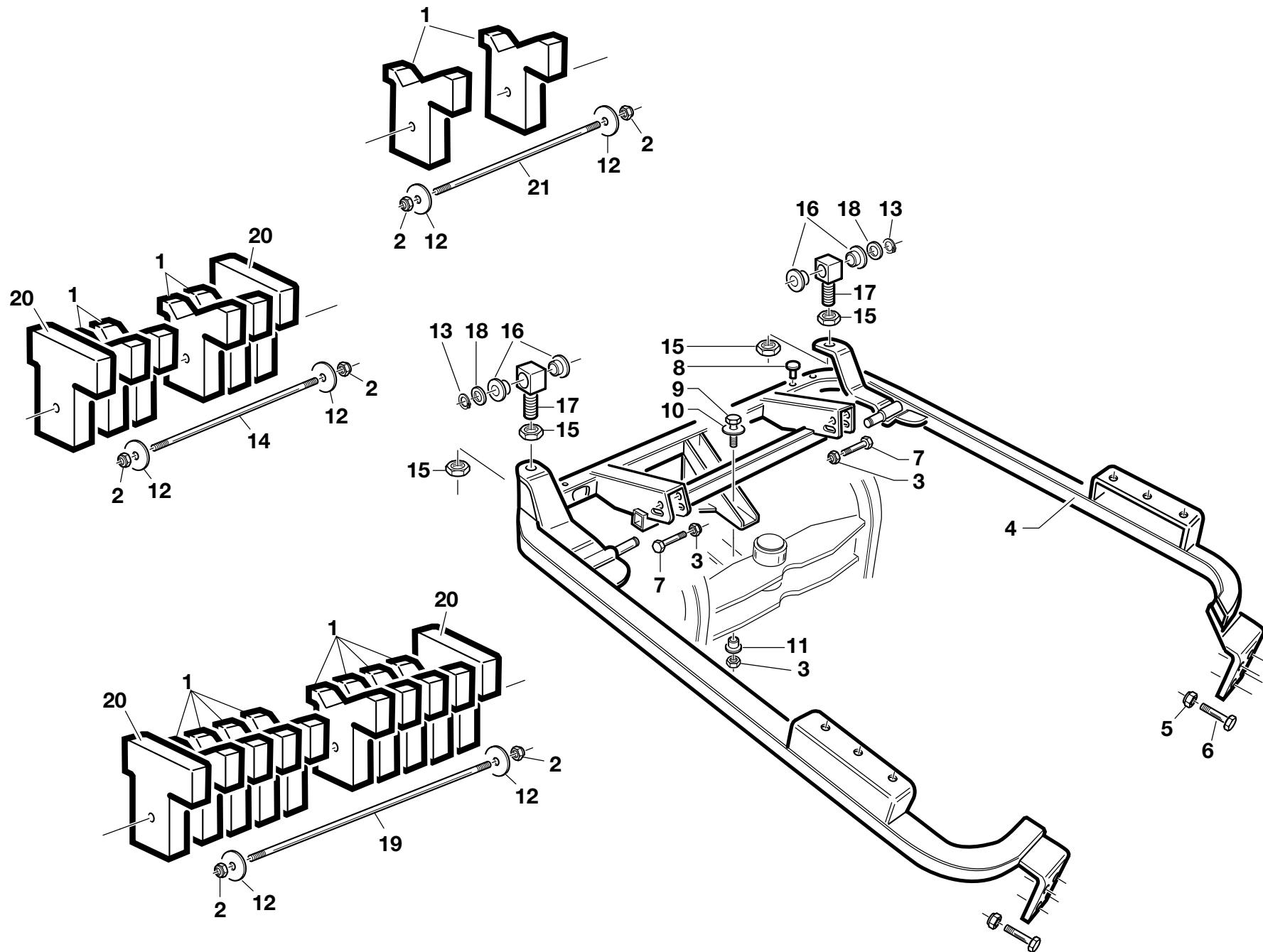
Pos.	CODICE / CODE
01	00111300043
02	00111450005
03	00111250004
04	00111000035
05	95101000004
06	95075000001
07	95101000005
08	00111970137
09	95091000001
10	95075110000
11	00111350027
12	95140000002
13	95140000001
14	95140000000
15	95075100005
16	00111970136
17	00111970014
18	9401000097
19	95599500000
20	95125000006
21	95208000002
22	95208120000
23	95208130000
24	95002000010
25	00111350011
26	00111450011
27	00111250020
28	00111500005
29	95206000001
30	00111000166
31	00111250012
32	00111400029
33	00111000183
34	00111000001
35	00111000095
36	00111000082
37	00111350031
38	00111500010
39	PZ95113110000
40	00111970042
41	00111400008
42	00111250006
43	00777801400
44	00777801500
45	00111960003
46	PZ95113100000



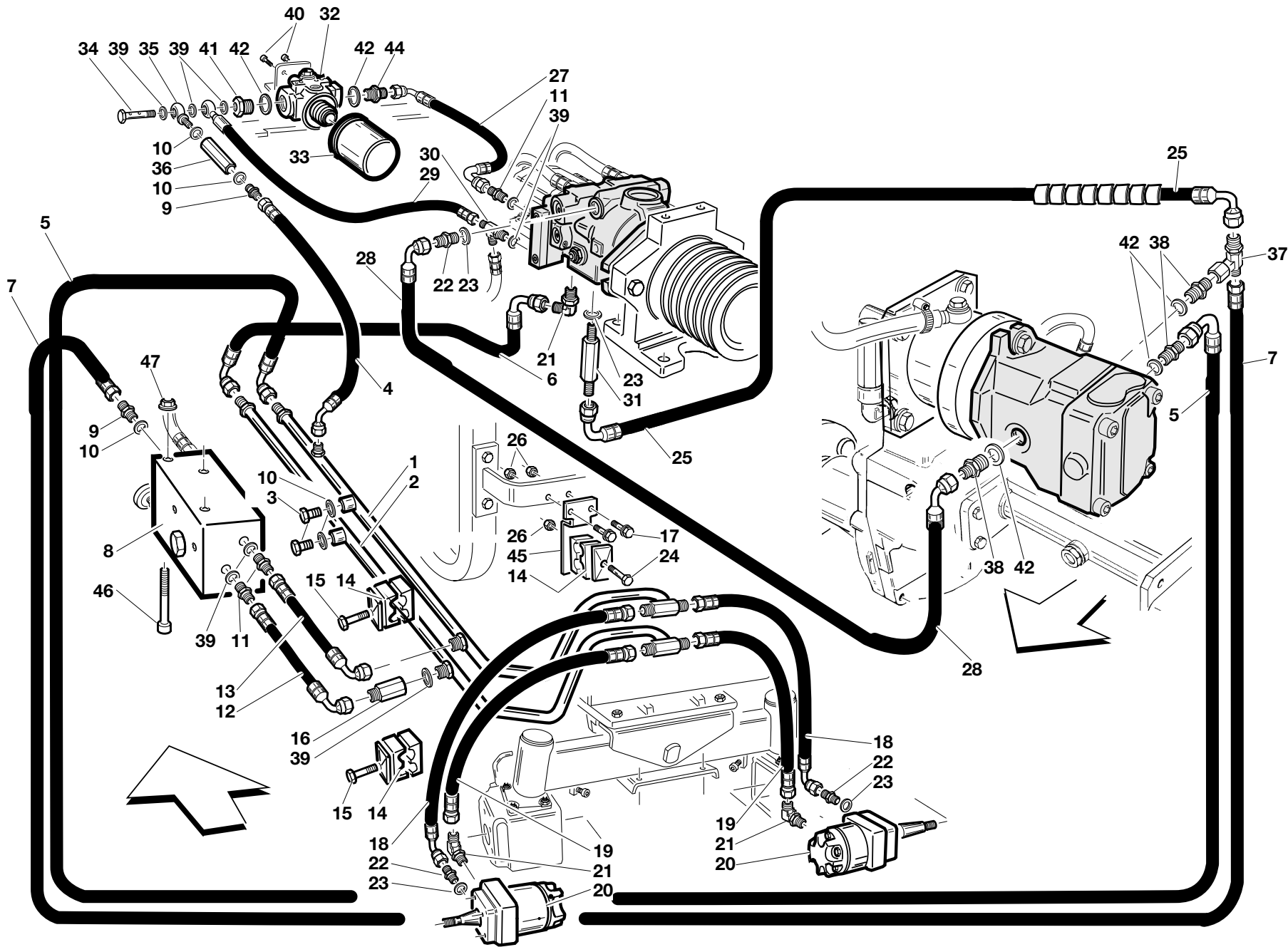
Pos.	CODICE / CODE
01	00111000087
02	00111800004
03	00111970126
04	00111250004
05	00111000095
06	95205000002
07	00111250010
08	95208200000
09	94010000060
10	00111000061
11	00111000081
12	95208150000



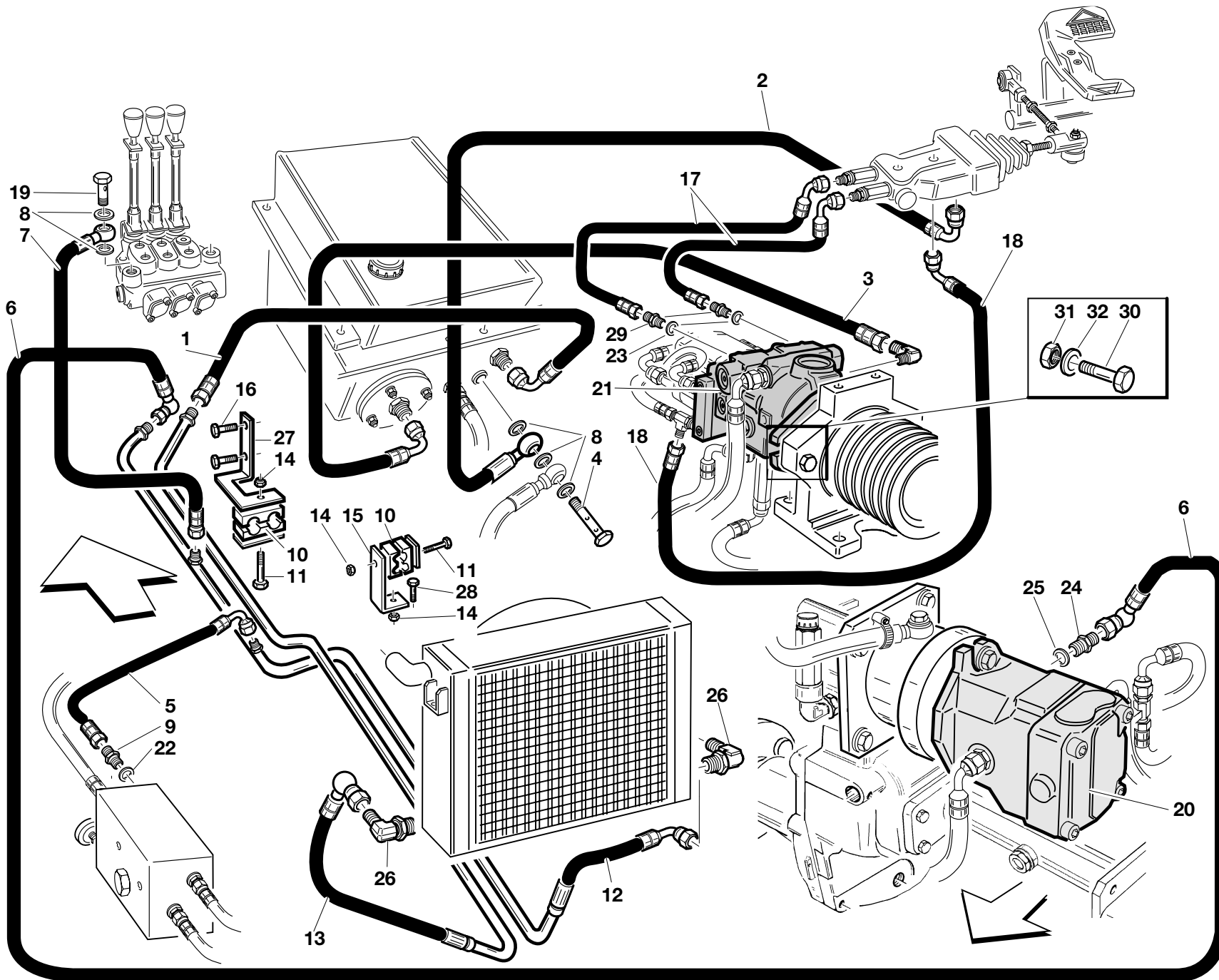
Pos.	CODICE / CODE
01	00111000072
02	95207000002
03	95170100000
04	00111970096
05	95207150000
06	00111300067
07	95125000007
08	00111000166
09	00111000082
10	00111000071
11	00111000095
12	00111350023
13	00111000132
14	95207000005
15	95207000006



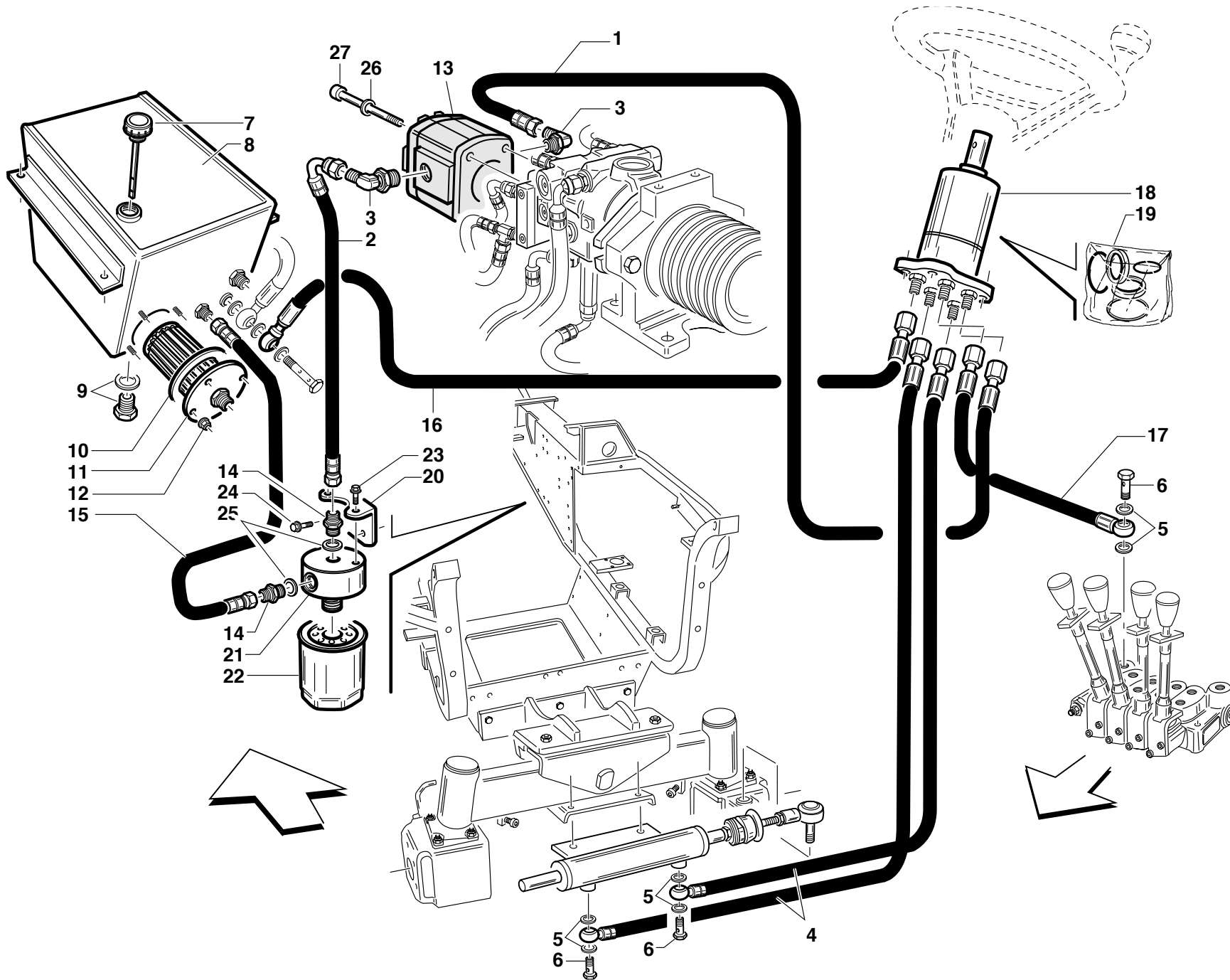
Pos.	CODICE / CODE
01	95049000037
02	00111000071
03	00111250008
04	95062130000
05	00111250004
06	00111300018
07	00111300010
08	00111970168
09	00111000024
10	00111500003
11	95006000015
12	00111000132
13	00111000057
14	95139000003
15	00111150011
16	00111990017
17	94013000015
18	00111500011
19	95153000002
20	95207000003
21	95303000064



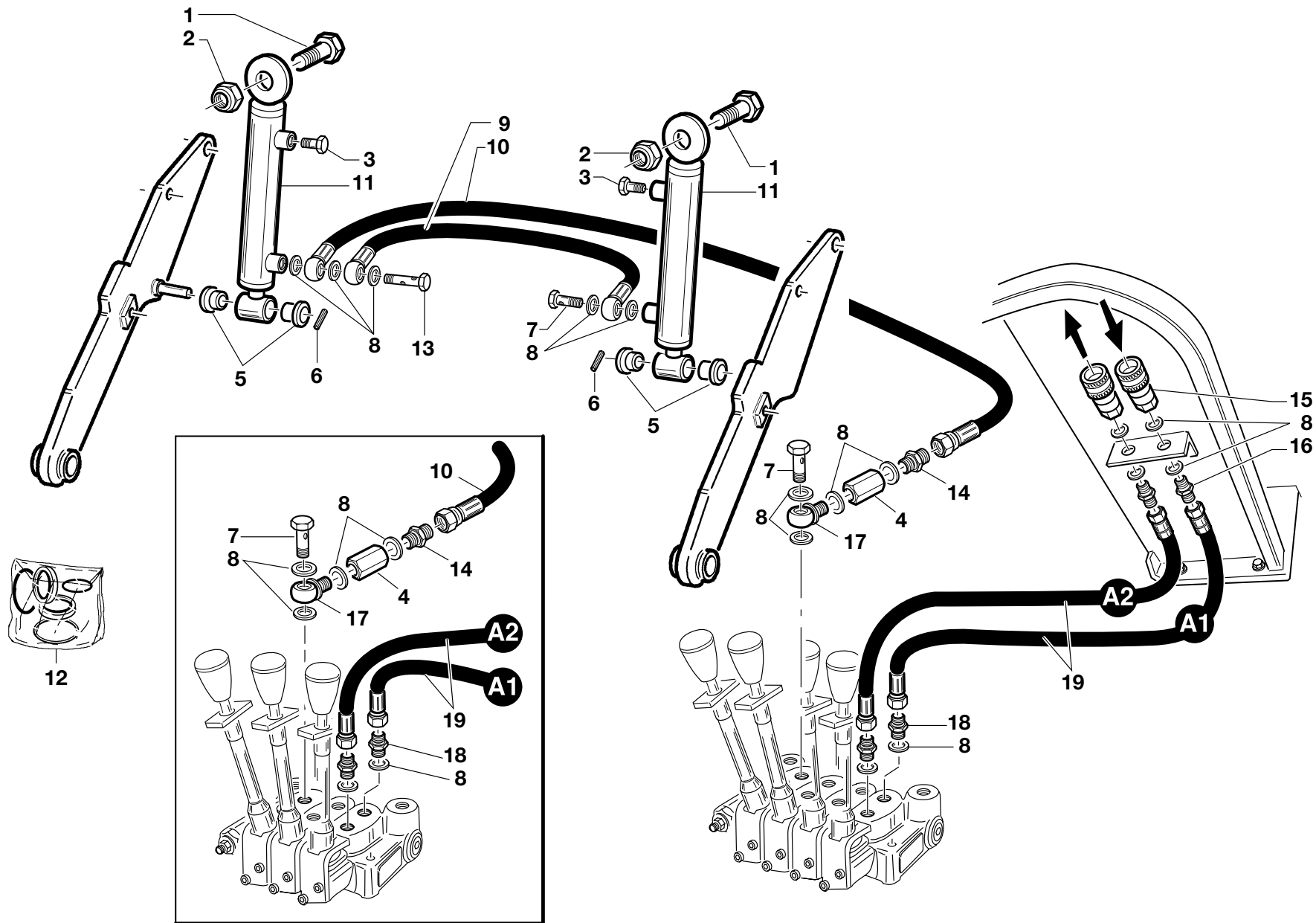
Pos.	CODICE / CODE
01	9530300050
02	9530300051
03	00777600050
04	95303000035
05	95303000046
06	95303000045
07	95303000032
08	95303000026
09	00777600043
10	00777600001
11	00777600015
12	95303000030
13	95303000029
14	00111990109
15	00111300015
16	00777600140
17	00111450001
18	95303000044
19	95303000043
20	95303000018
21	00777600124
22	00777600125
23	00777600128
24	00111300027
25	95303000047
26	00111000071
27	95303000036
28	95303000049
29	95303000037
30	00777600136
31	00777600126
32	95303000021
33	00777650060
34	00777600133
35	00777600141
36	00777600123
37	00777600137
38	00777600130
39	00777600003
40	00111000067
41	00777600132
42	00777600131
43	00777600129
44	00777600135
45	95303000008
46	00111400043
47	00111250021



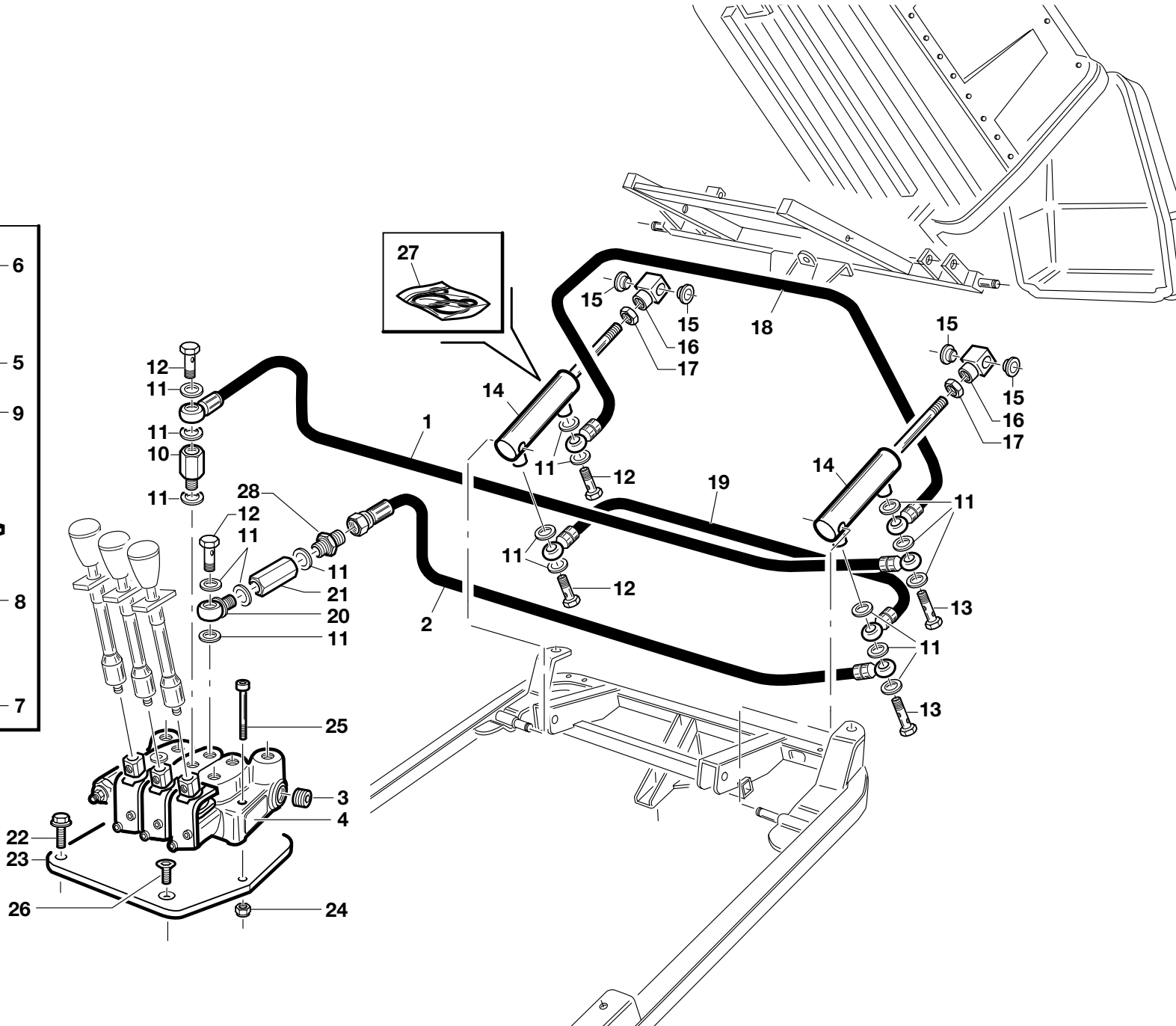
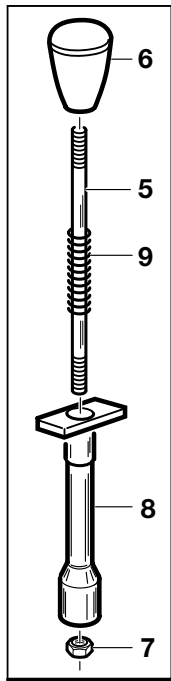
Pos.	CODICE / CODE
01	95303000041
02	95303000039
03	95303000048
04	00777600133
05	95303000031
06	95303000042
07	95303000055
08	00777600003
09	00777600043
10	00111990110
11	00111300027
12	95303000053
13	95303000052
14	00111000071
15	95303000028
16	00111000103
17	95303000040
18	95303000038
19	00777600042
20	95303000017
21	95303000015
22	00777600001
23	00777600045
24	00777600129
25	00777600131
26	00777600124
27	95303000054
28	00111450015
29	00777600127
30	00111300076
31	00111250002
32	00111500026



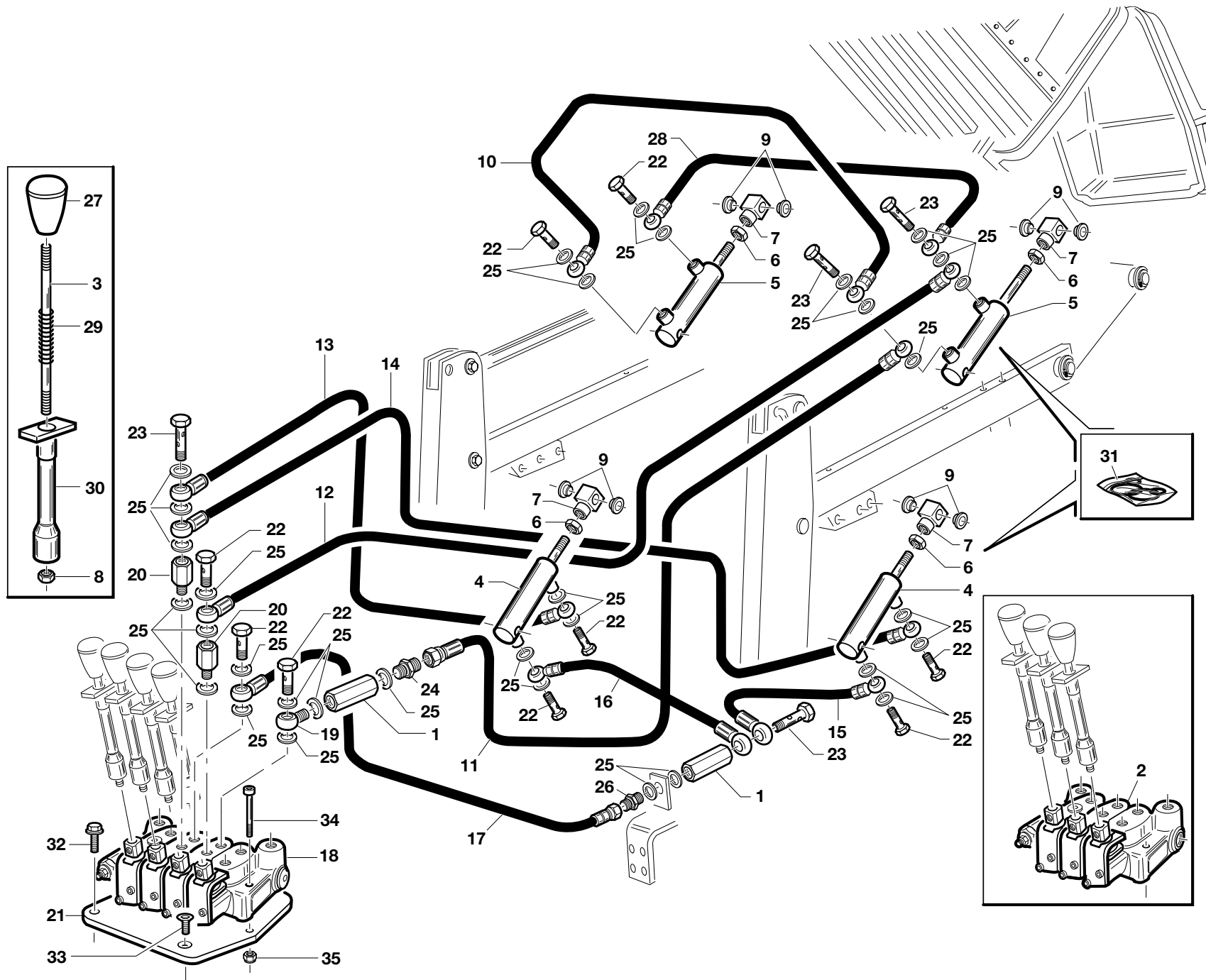
Pos.	CODICE / CODE
01	95301000025
02	95303000034
03	00777600115
04	95301000022
05	00777600001
06	00777600040
07	00777600120
08	95303140000
09	00777600119
10	95303000012
11	95303100000
12	00111250021
13	95303000016
14	00777600015
15	95303000033
16	95301000024
17	95301000023
18	95303000027
19	95599620000
20	95303000007
21	95303000057
22	00777650058
23	00111450003
24	00111450001
25	00777600003
26	00111000087
27	00111300020



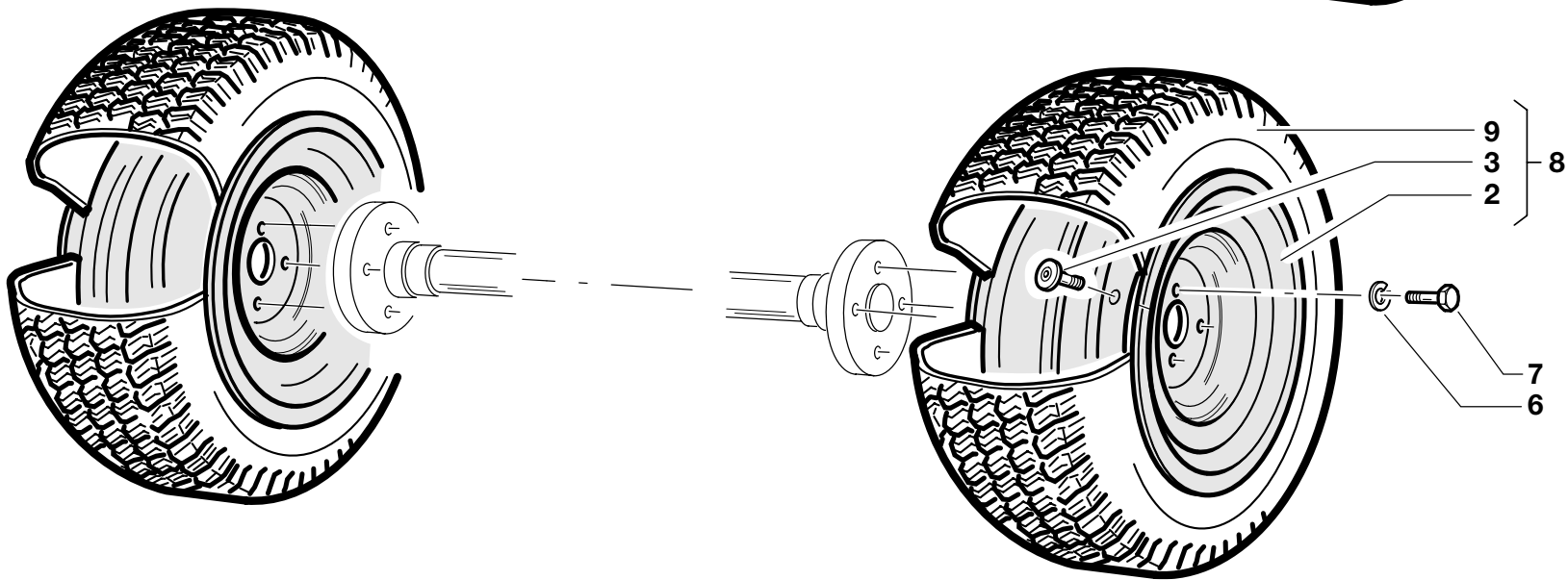
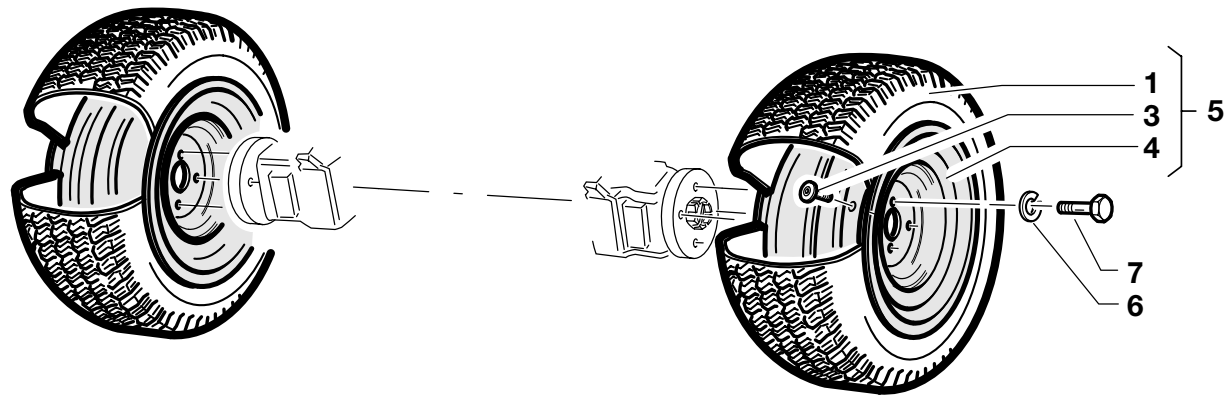
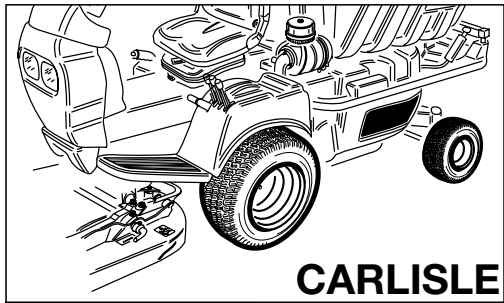
Pos.	CODICE / CODE
01	9506000001
02	00111250008
03	00777600051
04	00777600138
05	95001000060
06	00111700006
07	00777600040
08	00777600001
09	00777600034
10	00777600073
11	95060210000
12	95060211000
13	00777600039
14	00777600122
15	00777600102
16	00777600100
17	00777600108
18	00777600043
19	95301000027



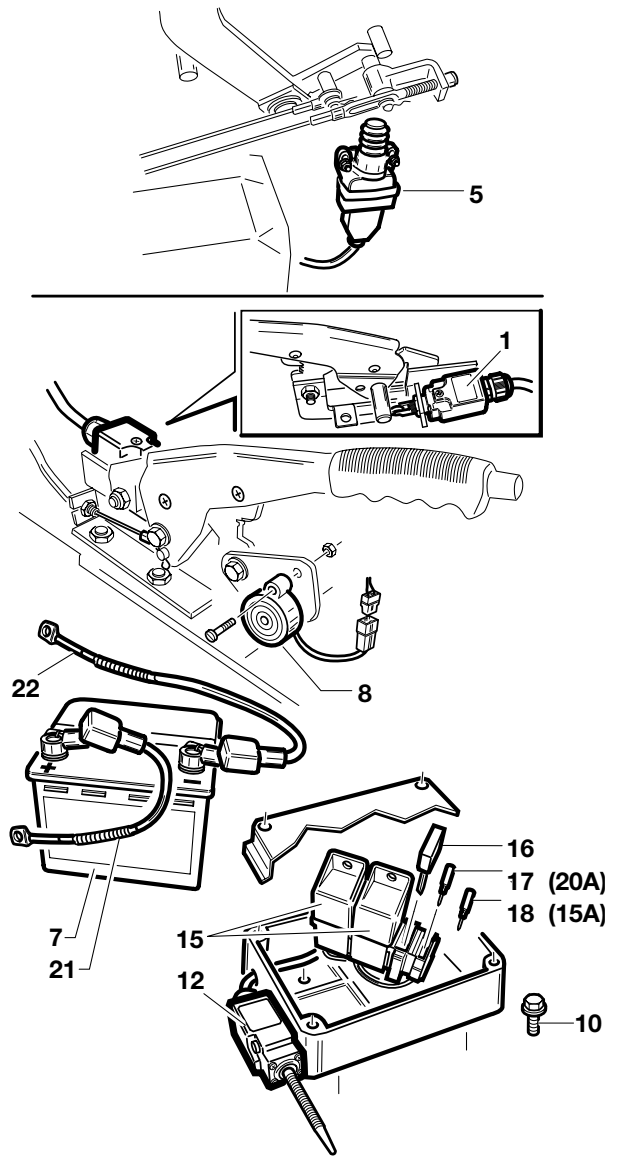
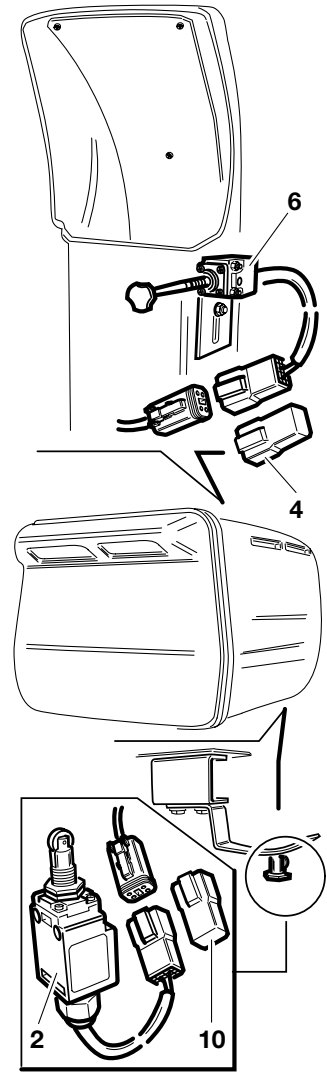
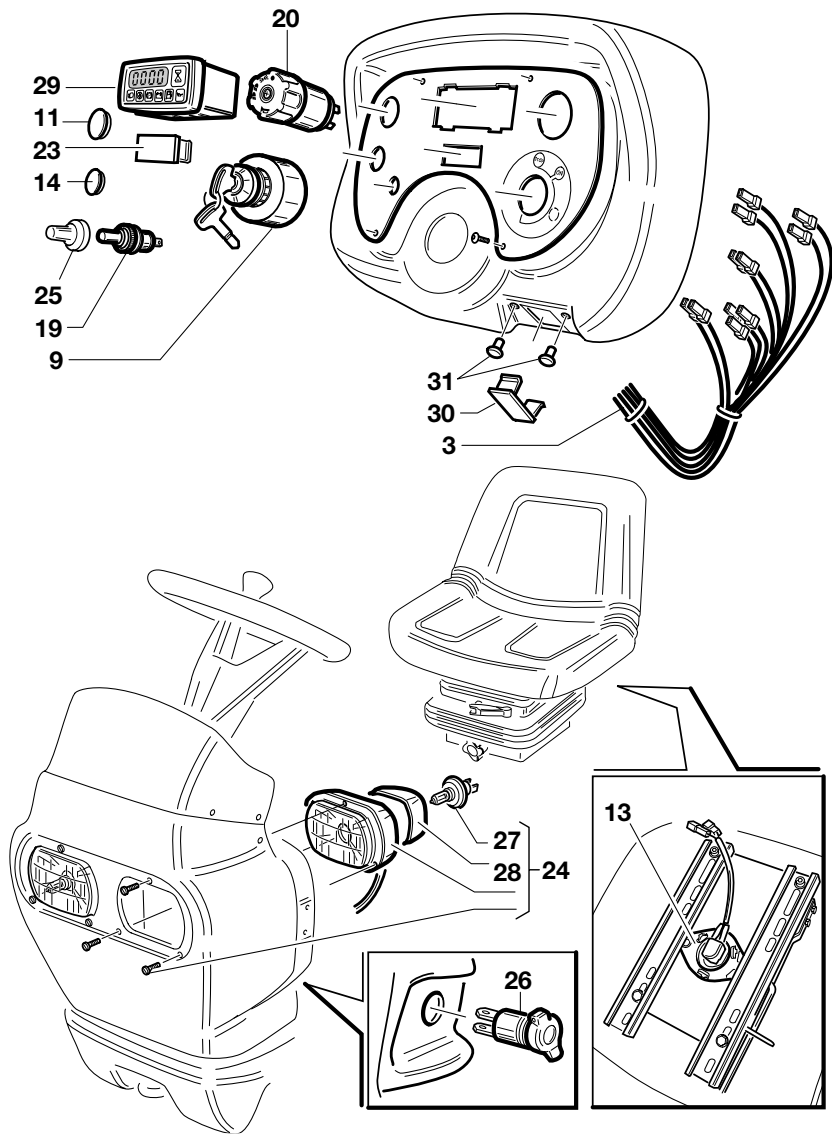
Pos.	CODICE / CODE
01	00777600086
02	00777600088
03	00777600050
04	00777600028
05	00777601100
06	00111970135
07	95062000004
08	95162000009
09	00777600113
10	00777600037
11	00777600001
12	00777600040
13	00777600039
14	95125220000
15	00111990017
16	94010000048
17	00111150005
18	00777600089
19	00777600105
20	00777600108
21	00777600138
22	00111450001
23	PZ95060000004
24	00111000166
25	00111400011
26	00111000186
27	95599270000
28	00777600122



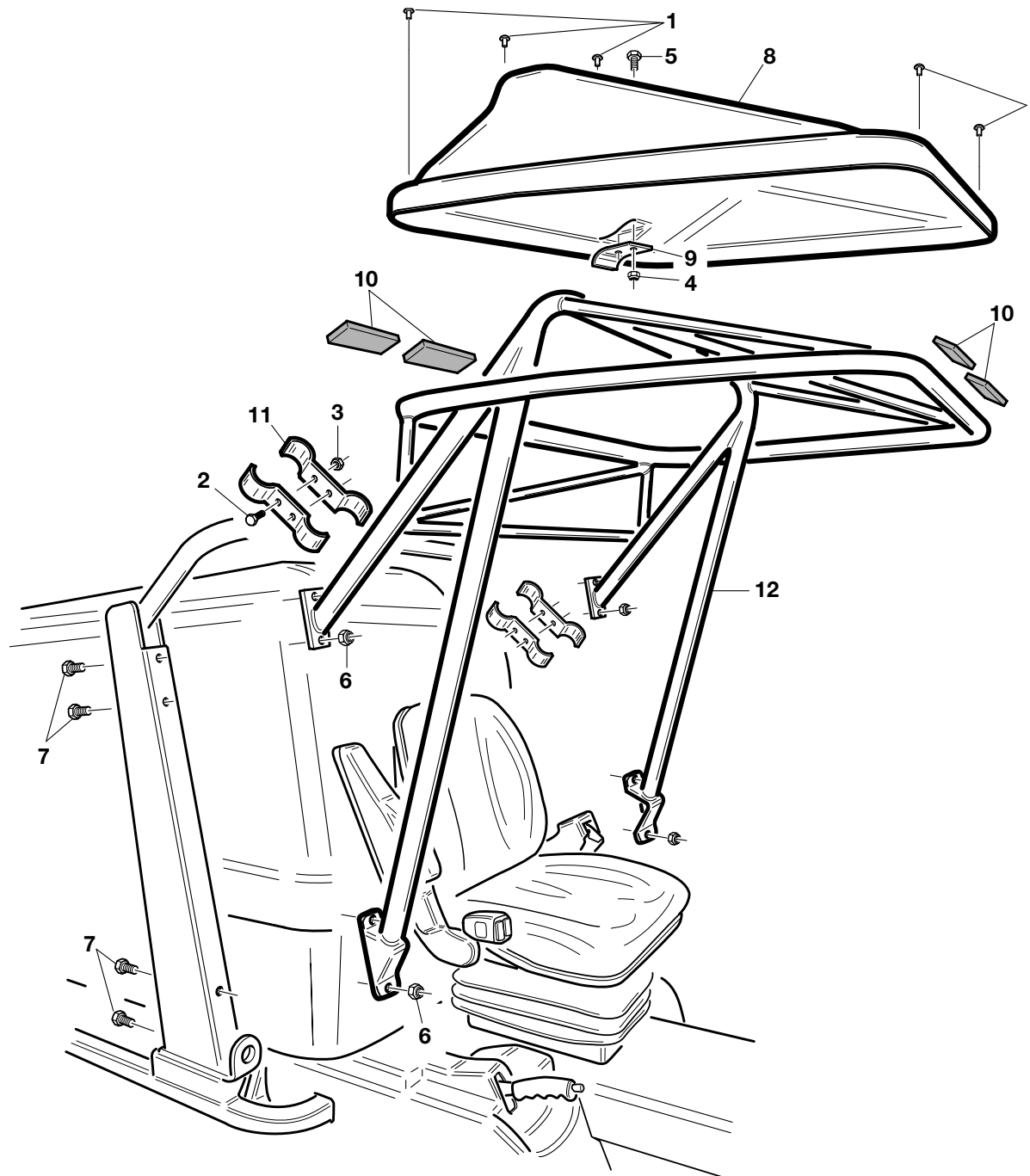
Pos.	CODICE / CODE
01	00777600138
02	00777600016
03	00777601100
04	94013150000
05	95125220000
06	00111150005
07	94010000048
08	95062000004
09	00111990017
10	00777600089
11	00777600090
12	00777600091
13	00777600086
14	00777600087
15	95128000002
16	00777600088
17	00777600092
18	00777600144
19	00777600108
20	00777600037
21	95301000031
22	00777600040
23	00777600039
24	00777600122
25	00777600001
26	00777600100
27	00111970135
28	00777600105
29	00777600113
30	95162000009
31	95599270000
32	00111450001
33	00111000186
34	00111400011
35	00111000166



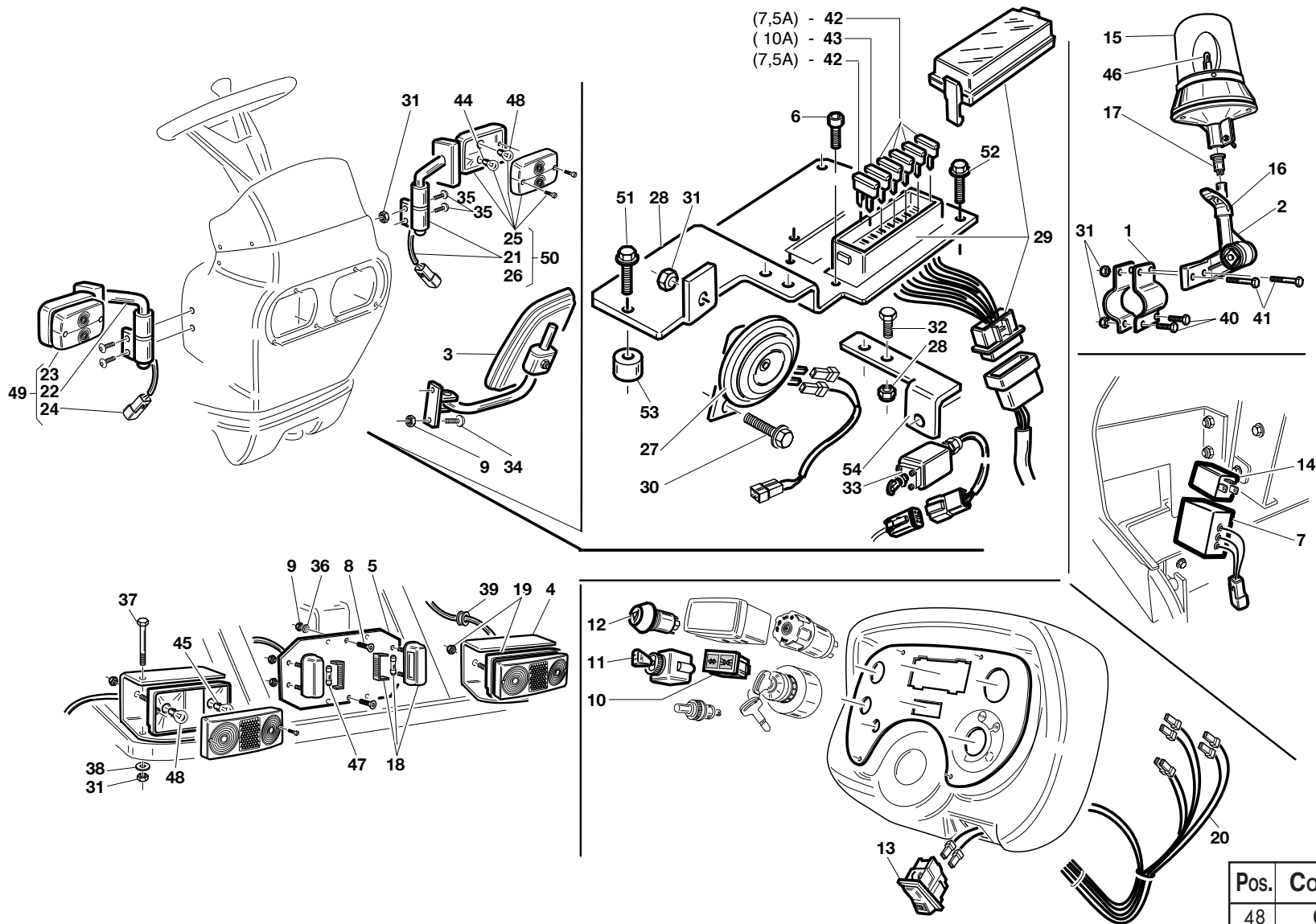
Pos.	CODICE / CODE
01	00111940023
02	95303130001
03	00111930006
04	95303120001
05	95303120000
06	00111550004
07	00111300055
08	95303130000
09	00111940024



Pos.	CODICE / CODE
01	9520010000
02	9520011000
03	9530413000
04	00777800167
05	00777800023
06	9504252000
07	00777800071
08	9530131000
09	00777800019
10	00111000059
11	00111970157
12	95201101500
13	00777800174
14	00111970158
15	00777800098
16	00777800099
17	00777800126
18	00777800080
19	00777800108
20	00777800143
21	95201100001
22	95202100001
23	00111970162
24	00777802400
25	00777800109
26	00777800107
27	00777800152
28	00777800156
29	00777801000
30	00111970159
31	00111970095



Pos.	CODICE / CODE
01	00111800004
02	00111000063
03	00111000095
04	00111000071
05	00111000145
06	00111250004
07	00111450007
08	95164000001
09	95164000002
10	95164000003
11	95164000004
12	95164100000



Pos.	CODICE / CODE
01	9516200002
02	00111971100
03	00111970154
04	95162000003
05	95162000004
06	00111400028
07	95162300000
08	00111350023
09	00111000166
10	00777800141
11	00777800142
12	00777800144
13	00777800145
14	00777800171
15	00777801400
16	00777801402
17	00777801401
18	00777802000
19	00777802100
20	95162100000
21	00111971300
22	00111971000
23	00777802300
24	95162201001
25	00777802200
26	95162201101
27	00777800022
28	95301000012
29	95162201202
30	00111450003
31	00111000071
32	00111450005
33	95162201300
34	00111450016
35	00111450015
36	00111500009
37	00111300027
38	00111000087
39	00111970128
40	00111300008
41	00111000145
42	00777800078
43	00777800079
44	00777800177
45	00777800179
46	00777800180
47	00777800181

Pos.	CODICE / CODE
48	00777800178
49	95162201000
50	95162201100
51	00111450002
52	00111000059
53	95301000004
54	95301000030



14

DIESEL

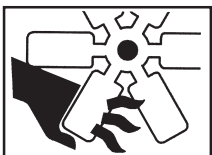
5



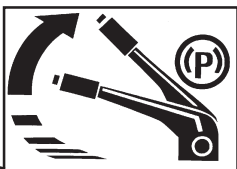
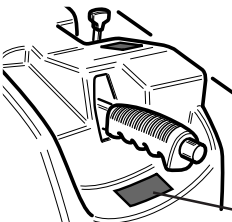
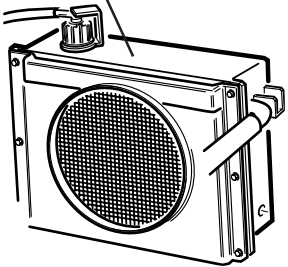
13



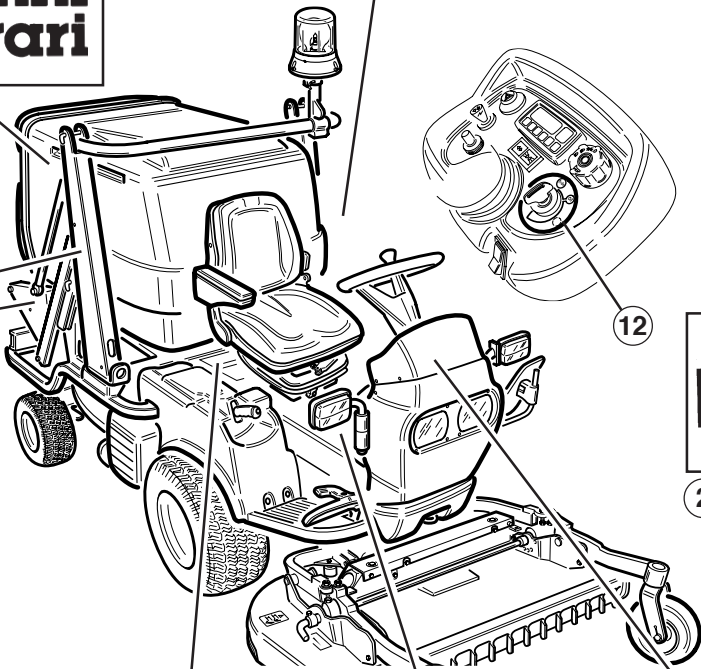
3



6



9



12

4

2



1



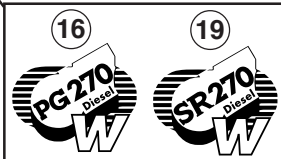
18



17



8



16

19



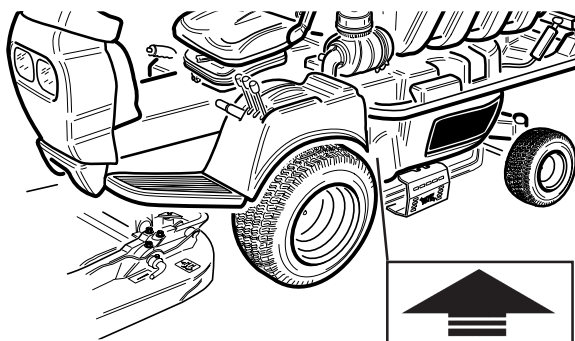
15



11



10



7



Pos.	CODICE / CODE
01	00555200006
02	00555200008
03	00555200018
04	00555200143
05	00555200114
06	00555200115
07	00555200124
08	00555200127
09	00555200128
10	00555200129
11	00555200130
12	00555200144
13	00555200119
14	00555200164
15	00555000027
16	00555200186
17	00555200132
18	00555200133
19	00555200187

Tav. 26

PG / SR - W

17/07/2006

Cod. 00555501005

COD. 00555501000

PROFESSIONAL MOWERS

BIEFFEBI s.r.l.
Via dell'Artigianato ,7
46023 Gonzaga (Mantova) Italy
Tel. 0376.52641 - Fax 0376.588270
e-mail: bieffebi@gianniferrari.com



COMPANY
WITH QUALITY MANAGEMENT
SYSTEM CERTIFIED BY DNV
=ISO 9001 : 2000=



GIANNI FERRARI s.r.l.
Via Vespucci ,53 (z.ind. Ranaro)
42046 Reggiolo (Reggio Emilia) Italy
Tel. 0522.973697 - Fax 0522.973707
e-mail: info@gianniferrari.com

www.gianniferrari.com